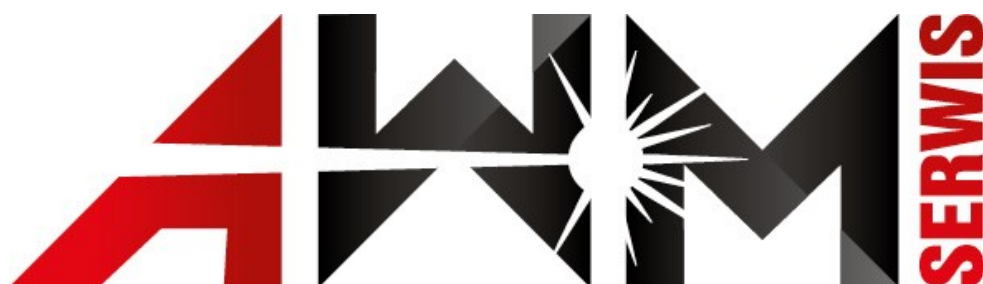


AWM-SERWIS GUZOWSKI

**SPARE PARTS FOR
SALVAGNINI®**

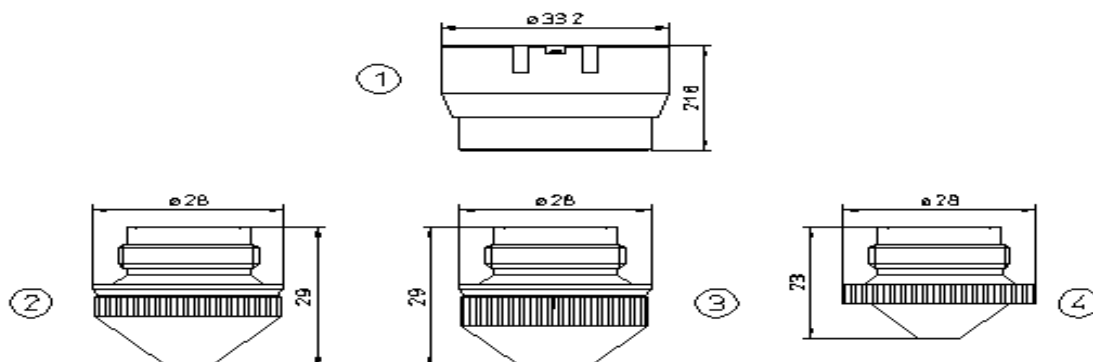


tel./fax (22) 716-37-40; 05-500 Piaseczno ul. Okulickiego 7/9

www.awm-serwis.pl / info@awm-serwis.pl

NOZZLES & ACCESSORIES

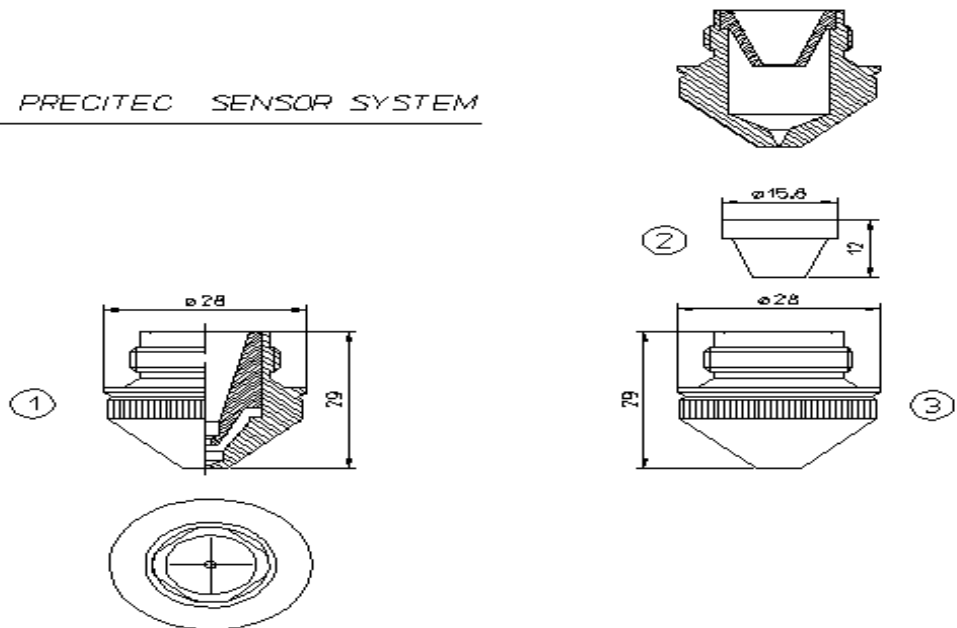
5"DL PRECITEC SENSOR SYSTEM



Poz.	Nazwa	Numer referencyjny	Opis
1	HA130/S	281146-P0380-211-00001-29100033	NOZZLE HOLDER IT M1.5" DZ - ALUMINUM
2	H374	141300A4	NOZZLE - 0.75 mm
	H375	141301A4	NOZZLE - 1.0 mm
	H376	146330A4	NOZZLE - 1.25 mm
	H377	146329A4 – 142321A4	NOZZLE – 1.5 mm
	H378	146328A4	NOZZLE - 1.75 mm
	H379	146327A4 – 142322A4	NOZZLE - 2.0 mm
	H381	146326A4	NOZZLE - 2.25 mm
	H380	146325A4 – 142324A4	NOZZLE - 2.5 mm
	H888	146324A4	NOZZLE - 2.75 mm
	H889	146323A4	NOZZLE - 3.0 mm

NOZZLES & ACCESSORIES

5"DL PRECITEC SENSOR SYSTEM



Poz.	Nazwa	Numer referencyjny	Opis
1	H988X		DOUBLE NOZZLE - 1.0 mm CP
	H989X		DOUBLE NOZZLE - 1.2 mm CP
	H990X		DOUBLE NOZZLE - 1.5 mm CP
	H991X		DOUBLE NOZZLE - 1.75 mm CP
	H992X		DOUBLE NOZZLE - 2.0 mm CP
	H993X		DOUBLE NOZZLE - 2.25 mm CP
	H994X		DOUBLE NOZZLE - 2.5 mm CP
	H995X		DOUBLE NOZZLE - 2.7 mm CP
	H996X		DOUBLE NOZZLE - 3.0 mm CP
	2	H157	

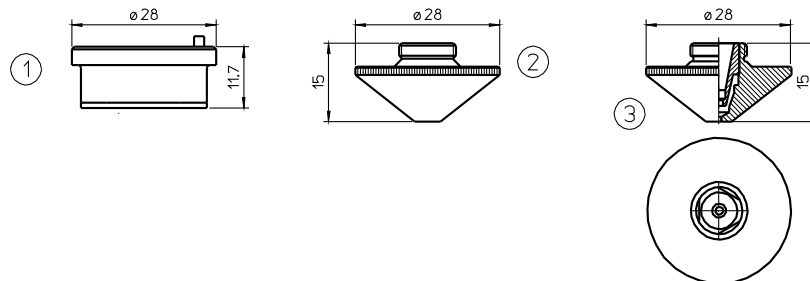
3	H772		NOZZLE - 0.75 mm F/I
	H773		NOZZLE - 1.0 mm F/I
	H774		NOZZLE - 1.25 mm F/I
	H775		NOZZLE - 1.5 mm F/I
	H776		NOZZLE - 1.75 mm F/I
H777		NOZZLE - 2.0 mm F/I	
H778		NOZZLE - 2.5 mm F/I	

For more information about the products listed in the catalog, please contact us.

Information about the price and availability is provided in response to inquiries.

The original codes are placed only in order to make easier the correct specification of the parts.

NOZZLES & ACCESSORIES



Poz.	Nazwa	Numer referencyjny	Opis
1	HA23	281330-P0571-260-00001	ORIG. NOZZLE HOLDER KT B2"
	HA355	P0571-1051-00001	ORIG. NOZZLE HOLDER KT B2" CON
	HA331	281330 - P0571-260-00001	NOZZLE HOLDER KT B2" FLAT PLATE
	HA109	281330-P0571-260-00001	NOZZLE HOLDER KT B2" WITH CHAMFER
	HA131	281330 - P0571-260-00001	NOZZLE HOLDER KT B2" FLAT PLATE
2	H234	281548-P0591-571-00010	NOZZLE - 1.0 mm HD
	H235	281549-P0591-572-00012	NOZZLE - 1.25 mm HD
	H236	281463-P0591-573-00015	NOZZLE - 1.5 mm HD
	H237	P0591-574-00018	NOZZLE - 1.8 mm HD
	H238	281550-P0591-575-00020	NOZZLE - 2.0 mm HD
	H239		NOZZLE - 2.3 mm HD
	H240	281551-P0591-576-00025	NOZZLE - 2.5 mm HD
	H936		NOZZLE - 2.75 mm HD
	H241		NOZZLE - 3.0 mm HD
	H826		NOZZLE - 3.2 mm HD
	H827		NOZZLE - 3.5 mm HD
	H828		NOZZLE - 4.0 mm HD
	H829		NOZZLE - 4.5 mm HD
	H234X	281548-P0591-571-00010	NOZZLE - 1.0 mm HD CP
	H235X	281549-P0591-572-00012	NOZZLE - 1.25 mm HD CP
	H236X	281463-P0591-573-00015	NOZZLE - 1.5 mm HD CP
	H237X		NOZZLE - 1.8 mm HD CP
	H238X	281550-P0591-575-00020	NOZZLE - 2.0 mm HD CP
	H239X		NOZZLE - 2.3 mm HD CP
	H240X	281551-P0591-576-00025	NOZZLE - 2.5 mm HD CP
	H936X		NOZZLE - 2.75 mm HD CP
	H241X		NOZZLE - 3.0 mm HD CP
	H826X		NOZZLE - 3.2 mm HD CP
	H827X		NOZZLE - 3.5 mm HD CP
	H828X		NOZZLE - 4.0 mm HD CP
H829X		NOZZLE - 4.5 mm HD CP	

3	H669	DOUBLE NOZZLE - 0.8 mm
	H660	DOUBLE NOZZLE - 1.0 mm
	H661	DOUBLE NOZZLE - 1.25 mm
	H662	DOUBLE NOZZLE - 1.5 mm
	H663	DOUBLE NOZZLE - 1.8 mm
	H664	DOUBLE NOZZLE - 2.0 mm
	H665	DOUBLE NOZZLE - 2.0 mm
	H666	DOUBLE NOZZLE - 2.5 mm
	H667	DOUBLE NOZZLE - 3.0 mm
	H668	DOUBLE NOZZLE - 3.5 mm
	H660X	DOUBLE NOZZLE - 1.0 mm CP
	H661X	DOUBLE NOZZLE - 1.25 mm CP
H662X	DOUBLE NOZZLE - 1.5 mm CP	
H663X	DOUBLE NOZZLE - 1.8 mm CP	
H664X	DOUBLE NOZZLE - 2.0 mm CP	
H665X	DOUBLE NOZZLE - 2.3 mm CP	
H666X	DOUBLE NOZZLE - 2.5 mm CP	
H667X	DOUBLE NOZZLE - 3.0 mm CP	
H668X	DOUBLE NOZZLE - 3.5 mm CP	

For more information about the products listed in the catalog, please contact us.

Information about the price and availability is provided in response to inquiries.

The original codes are placed only in order to make easier the correct specification of the parts.