

AWM-SERWIS GUZOWSKI

**SPARE PARTS FOR
PRECITEC®**



tel./fax (22) 716-37-40; 05-500 Piaseczno ul. Okulickiego 7/9

www.awm-serwis.pl / info@awm-serwis.pl



LENSES FOR CO2 LASER

Pos	Part name	Original code	Description
1	5,0" standard lens	0	Diam. 38,1 mm (1,5") F.L. 127,0 mm (5,0") Thick. 7,4 mm Meniscus
2	7.5" standard lens	0	Diam. 38,1 mm (1,5") F.L. 190,5 mm (7,5") Thick. 7,4 mm Meniscus
3	5.0" low absorption lens	0	Diam. 38,1 mm (1,5") F.L. 127,0 mm (5,0") Thick. 7,4 mm Meniscus
4	7,5" low absorption lens	0	Diam. 38,1 mm (1,5") F.L. 190,5 mm (7,5") Thick. 7,4 mm Meniscus

DEBRIS SHIELDS

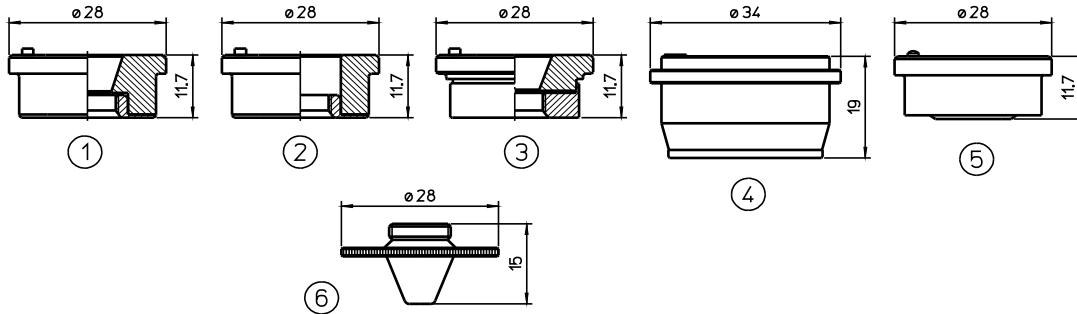
Pos	Part name	Original code	Description
1	Debris shield 1	P0589-360-00001 P0589-360-00002	Diam.: 22,35 mm Thick.: 4,0 mm
2	Debris shield 2	P0595-58601 P0595-61551	Diam.: 37,00 mm Thick.: 7,0 mm
3	Debris shield 3	P0795-1201-00001 P0795-1201-00002	Diam.: 30,00 mm Thick.: 5,0 mm

For more information about the products listed in the catalog, please contact us.

Information about the price and availability is provided in response to inquiries.

The original codes are placed only in order to make easier the correct specification of the parts.

NOZZLES & ACCESSORIES



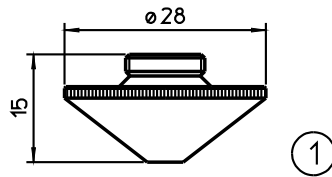
Pos	Part name	Original code	Description
1	HA355	P0571-1051-00001	ORIGINAL NOZZLE HOLDER KT B2" CON
2	HA23	P0571-260-00001	ORIGINAL NOZZLE HOLDER KT B2"
3	HA331		NOZZLE HOLDER KT B2" CON
4	HA228		NOZZLE HOLDER
5	HA141	P0571-265-00001	ORIG. NOZZLE HOLDER IT B2" Z ALUMINUM
5	H247	P0591-569-00008	NOZZLE Ø 0.8
	H162	P0591-561-00010	NOZZLE Ø 1.0
	H130	P0591-562-00012	NOZZLE Ø 1.2
	H131	P0591-563-00015	NOZZLE Ø 1.5
	H248		NOZZLE Ø 1.7
	H153	P0591-564-00018	NOZZLE Ø 1.8
	H132	P591-565-00020	NOZZLE Ø 2.0
	H154		NOZZLE Ø 2.3
	H155	P0591-566-00025	NOZZLE Ø 2.5
	H156		NOZZLE Ø 3.0
	H247X	P0591-569-00008	NOZZLE Ø 0.8 CP
	H162X	P0591-561-00010	NOZZLE Ø 1.0 CP
	H130X	P0591-562-00012	NOZZLE Ø 1.2 CP
	H131X	P0591-563-00015	NOZZLE Ø 1.5 CP
	H248X		NOZZLE Ø 1.7 CP
	H153X	P0591-564-00018	NOZZLE Ø 1.8 CP
	H132X	P591-565-00020	NOZZLE Ø 2.0 CP
	H154X		NOZZLE Ø 2.3 CP
H155X	P0591-566-00025	NOZZLE Ø 2.5 CP	
H156X		NOZZLE Ø 3.0 CP	

For more information about the products listed in the catalog, please contact us.

Information about the price and availability is provided in response to inquiries.

The original codes are placed only in order to make easier the correct specification of the parts.

NOZZLES & ACCESSORIES



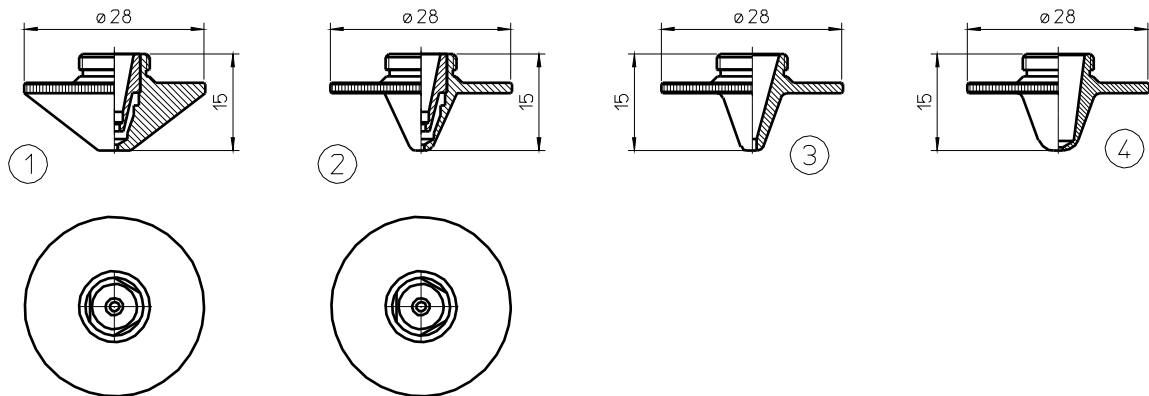
Pos	Part name	Original code	Description	
1	H935		NOZZLE Ø 0.8 HD	
	H234	P0591-571-00010	NOZZLE Ø 1.0 HD	
	H235	P0591-572-00012	NOZZLE Ø 1.2 HD	
	H236	P0591-573-00015	NOZZLE Ø 1.5 HD	
	H237	P0591-574-00018	NOZZLE Ø 1.8 HD	
	H238	P0591-575-00020	NOZZLE Ø 2.0 HD	
	H239		NOZZLE Ø 2.3 HD	
	H240	P0591-576-00025	NOZZLE Ø 2.5 HD	
	H936		NOZZLE Ø 2.75 HD	
	H241	P0591-577-00030	NOZZLE Ø 3.0 HD	
	H826		NOZZLE Ø 3.2 HD	
	H827		NOZZLE Ø 3.5 HD	
	H828		NOZZLE Ø 4.0 HD	
	H829		NOZZLE Ø 4.5 HD	
	H830		NOZZLE Ø 5,0 HD	
	H935X		NOZZLE Ø 0.8 HD CP	
	H234X	P0591-571-00010	NOZZLE Ø 1.0 HD CP	
	H235X	P0591-572-00012	NOZZLE Ø 1.2 HD CP	
	H236X	P0591-573-00015	NOZZLE Ø 1.5 HD CP	
	H237X		NOZZLE Ø 1.8 HD CP	
	H238X	P0591-575-00020	NOZZLE Ø 2.0 HD CP	
	H239X		NOZZLE Ø 2.3 HD CP	
	H240X	P0591-576-00025	NOZZLE Ø 2.5 HD CP	
	H936X		NOZZLE Ø 2.75 HD CP	
	H241X	P0591-577-00030	NOZZLE Ø 3.0 HD CP	
	H826X		NOZZLE Ø 3.2 HD CP	
	H827X		NOZZLE Ø 3.5 HD CP	
	H828X		NOZZLE Ø 4.0 HD CP	
	H829X		NOZZLE Ø 4.5 HD CP	
	H830X		NOZZLE Ø 5,0 HD CP	

For more information about the products listed in the catalog, please contact us.

Information about the price and availability is provided in response to inquiries.

The original codes are placed only in order to make easier the correct specification of the parts.

NOZZLES & ACCESSORIES



Pos	Part name	Original code	Description
1	H669		DOUBLE NOZZLE Ø 0.8
	H691		DOUBLE NOZZLE Ø 0.9
	H660	P0591-002-00010	DOUBLE NOZZLE Ø 1.0
	H661	P0591-002-00012	DOUBLE NOZZLE Ø 1.2
	H662	P0591-002-00015	DOUBLE NOZZLE Ø 1.5
	H663	P0591-002-00018	DOUBLE NOZZLE Ø 1.8
	H664	P0591-002-00020	DOUBLE NOZZLE Ø 2.0
	H665		DOUBLE NOZZLE Ø 2.3
	H666		DOUBLE NOZZLE Ø 2.5
	H667		DOUBLE NOZZLE Ø 3.0
	H668		DOUBLE NOZZLE Ø 3.5
	H840		DOUBLE NOZZLE Ø 4,0
	H841		DOUBLE NOZZLE Ø 4,5
	H861		DOUBLE NOZZLE Ø 5,0
	H669X		DOUBLE NOZZLE Ø 0.8 CP
	H691X		DOUBLE NOZZLE Ø 0.9 CP
	H660X		DOUBLE NOZZLE Ø 1.0 CP
	H661X		DOUBLE NOZZLE Ø 1.2 CP
	H662X		DOUBLE NOZZLE Ø 1.5 CP
	H663X		DOUBLE NOZZLE Ø 1.8 CP
	H664X		DOUBLE NOZZLE Ø 2.0 CP
	H665X		DOUBLE NOZZLE Ø 2.3 CP
	H666X		DOUBLE NOZZLE Ø 2.5 CP
	H667X		DOUBLE NOZZLE Ø 3.0 CP
	H668X		DOUBLE NOZZLE Ø 3.5 CP
	H840X		DOUBLE NOZZLE Ø 4,0 CP
H841X		DOUBLE NOZZLE Ø 4,5 CP	
H861X		DOUBLE NOZZLE Ø 5,0 CP	

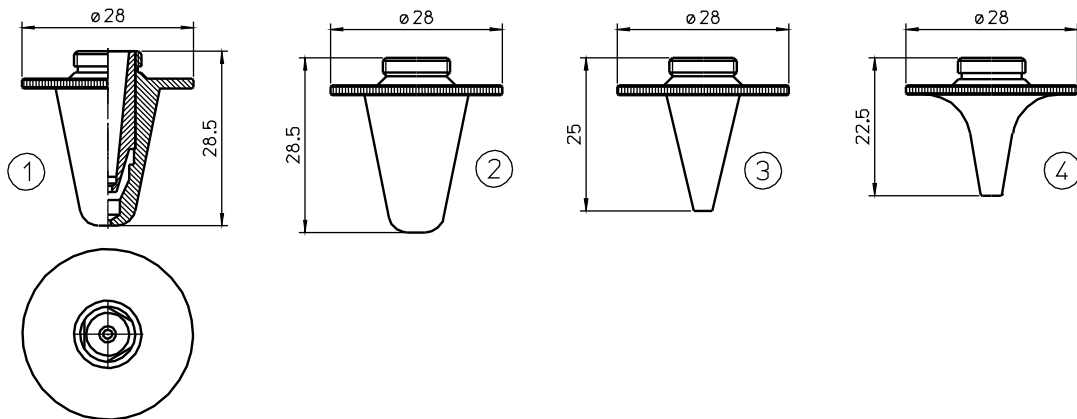
2	H1348		3D DOUBLE NOZZLE Ø 0.8
	H1349		3D DOUBLE NOZZLE Ø 1.0
	H1350		3D DOUBLE NOZZLE Ø 1.2
	H1351		3D DOUBLE NOZZLE Ø 1.5
	H1470		3D DOUBLE NOZZLE Ø 1.8
	H1348X		3D DOUBLE NOZZLE Ø 0.8 CP
	H1349X		3D DOUBLE NOZZLE Ø 1.0 CP
	H1350X		3D DOUBLE NOZZLE Ø 1.2 CP
	H1351X		3D DOUBLE NOZZLE Ø 1.5 CP
	H1470X		3D DOUBLE NOZZLE Ø 1.8 CP
3	H799		NOZZLE Ø 0.8 HD
	H738		NOZZLE Ø 1.0 HD
	H739		NOZZLE Ø 1.2 HD
	H740		NOZZLE Ø 1.5 HD
4	H792		NOZZLE Ø 0.8
	H793		NOZZLE Ø 1.0
	H794		NOZZLE Ø 1.2
	H742		NOZZLE Ø 1.5
	H743		NOZZLE Ø 1.8
	H744		NOZZLE Ø 2.0

For more information about the products listed in the catalog, please contact us.

Information about the price and availability is provided in response to inquiries.

The original codes are placed only in order to make easier the correct specification of the parts.

NOZZLES & ACCESSORIES



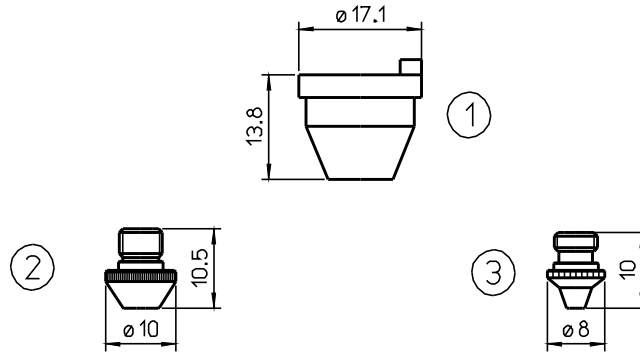
Pos	Part name	Original code	Description
1	H680		DOUBLE NOZZLE Ø 1.0 LONG
	H681		DOUBLE NOZZLE Ø 1.2 LONG
	H682		DOUBLE NOZZLE Ø 1.5 LONG
	H683		DOUBLE NOZZLE Ø 1.8 LONG
	H684		DOUBLE NOZZLE Ø 2.0 LONG
	H685		DOUBLE NOZZLE Ø 2.3 LONG
	H686		DOUBLE NOZZLE Ø 2.5 LONG
	H687		DOUBLE NOZZLE Ø 3.0 LONG
	H688		DOUBLE NOZZLE Ø 3.5 LONG
2	H308	P0573-563-00010	NOZZLE Ø 1.0 LONGED
	H307	P0573-563-00012	NOZZLE Ø 1.2 LONGED
	H382	P0573-563-00015	NOZZLE Ø 1.5 LONGED
	H383		NOZZLE Ø 1.8 LONGED
	H437	P0573-564-00020	NOZZLE Ø 2.0 LONGED
	H438	P0573-565-00023	NOZZLE Ø 2.3 LONGED
	H439	P0573-566-00025	NOZZLE Ø 2.5 LONGED
	H440		NOZZLE Ø 3.0 LONGED
3	H1341		NOZZLE Ø 1.0 LONG
	H1343		NOZZLE Ø 1.5 LONG
	H1344		NOZZLE Ø 1.8 LONG
	H1345		NOZZLE Ø 2.0 LONG
4	H1374	P0578-0411-00010	NOZZLE RADIUS Ø 1.0 LONG
	H1375	P0578-0412-00012	NOZZLE RADIUS Ø 1.2 LONG
	H1376	P0578-0413-00015	NOZZLE RADIUS Ø 1.5 LONG
	H1373	P0578-0414-00018	NOZZLE RADIUS Ø 1.8 LONG
	H1377	P0415-0411-00020	NOZZLE RADIUS Ø 2.0 LONG
	H1378	P0578-0415-00025	NOZZLE RADIUS Ø 2.5 LONG

For more information about the products listed in the catalog, please contact us.

Information about the price and availability is provided in response to inquiries.

The original codes are placed only in order to make easier the correct specification of the parts.

NOZZLES & ACCESSORIES



Pos	Part name	Original code	Description
1	HA53	280408-092405	ORIG. NOZZLE HOLDER KT M1.5" KN
2	H445		NOZZLE Ø 0.8
	H292	P0494-853-00010 / 280551	NOZZLE Ø 1.0
	H293	P0494-854-00012 / 280552	NOZZLE Ø 1.2
	H294	P0494-855-00015 / 280553	NOZZLE Ø 1.5
	H295	P0494-856-00017 / 280554	NOZZLE Ø 1.7
	H296	P0494-855-00020 / 280555	NOZZLE Ø 2.0
	H372		NOZZLE Ø 2.3
	H371		NOZZLE Ø 2.5
	H304		NOZZLE Ø 3.0
	H303		NOZZLE Ø 4.0
3	H1055	P0494-787-00010	NOZZLE Ø 1.0 KN TAK
	H1056	P0494-788-00012	NOZZLE Ø 1.2 KN TAK
	H1057	P0494-789-00015	NOZZLE Ø 1.5 KN TAK
	H1058		NOZZLE Ø 1.8 KN TAK
	H1059		NOZZLE Ø 2.0 KN TAK

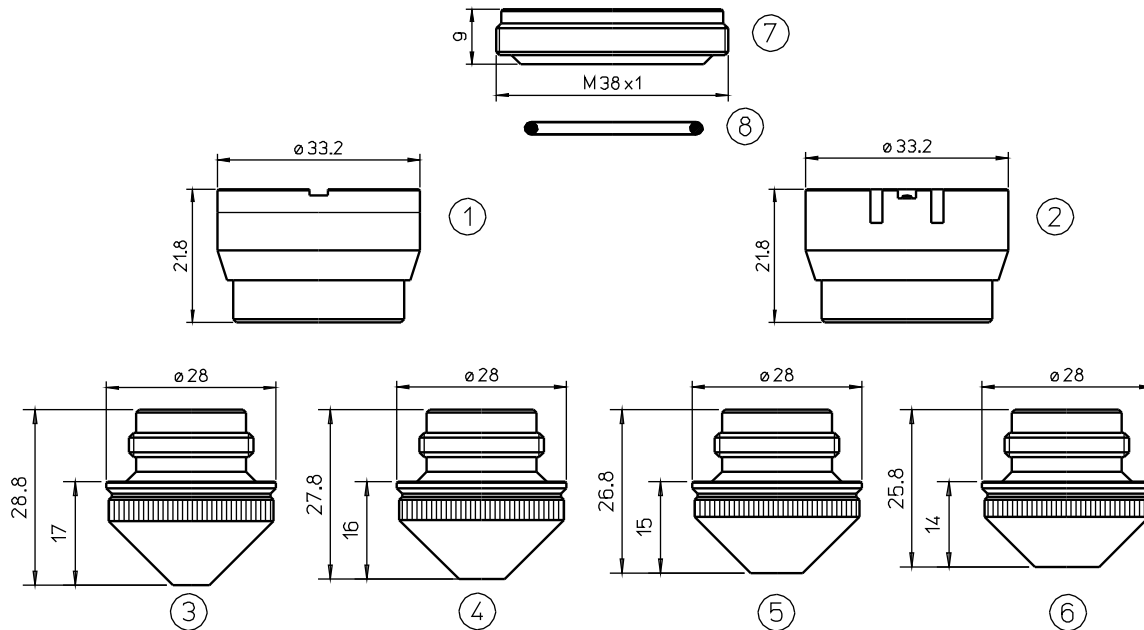
For more information about the products listed in the catalog, please contact us.

Information about the price and availability is provided in response to inquiries.

The original codes are placed only in order to make easier the correct specification of the parts.

NOZZLES & ACCESSORIES

5" DXN - 5" DL SENSOR SYSTEM



Pos	Part name	Original code	Description
1	HA40	280565-P0497-605-00001-29100106	ORIG. NOZ. HOLDER KT M1.5"DXN - CERAMIC
2	HA130	281146-P0380-211-00001-29100033	ORIG. NOZ. HOLDER IT M1.5" DZ - ALUMINUM
	HA130/S	281146-P0380-211-00001-29100033	NOZZLE HOLDER IT M1.5" DZ - ALUMINUM
3	H365	280029-P0492-628-00010	NOZZLE Ø 1.0
	H366	280030-P0492-629-00012	NOZZLE Ø 1.2
4	H367	280028-P0492-627-00015	NOZZLE Ø 1.5
5	H368	281384-P0492-630-00017	NOZZLE Ø 1.7
	H369	280027-P0492-626-00020	NOZZLE Ø 2.0
6	H370	280026-P0492-625-00025	NOZZLE Ø 2.5

7	H163	281253-P0380-251-00010	NOZZLE Ø 1.0
	H164	281254-P0380-252-00012	NOZZLE Ø 1.2
	H165	281255-P0380-253-00015	NOZZLE Ø 1.5
	H166	281270-P0380-254-00020	NOZZLE Ø 2.0
	H167	281271-P0380-255-00025	NOZZLE Ø 2.5
	H462	281271-2.7	NOZZLE Ø 2.7
	H201	281271-3.0	NOZZLE Ø 3.0
8	HA201	P0492-702-00002	INSULATING RING - plastic
9	HA94	71366453	O'RING FOR NOZZLE OUTER

For more information about the products listed in the catalog, please contact us.

Information about the price and availability is provided in response to inquiries.

The original codes are placed only in order to make easier the correct specification of the parts.