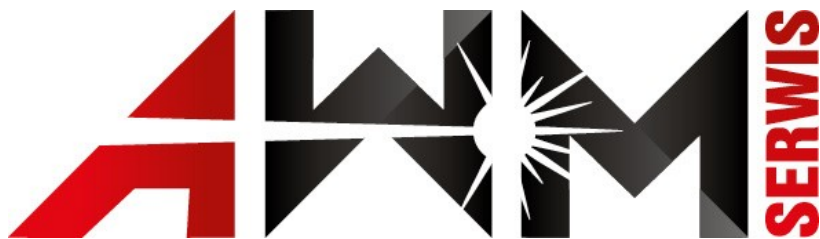


# **AWM-SERWIS GUZOWSKI**

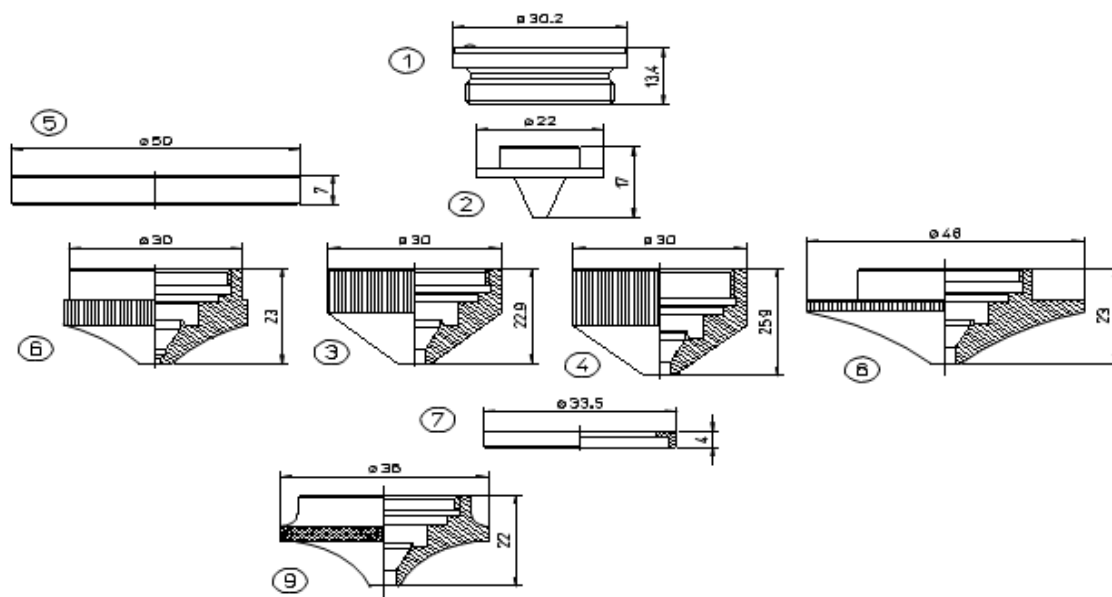
**SPARE PARTS FOR  
MITSUBISHI®**



**tel./fax (22) 716-37-40; 05-500 Piaseczno ul. Okulickiego 7/9**

**[www.awm-serwis.pl](http://www.awm-serwis.pl) / [info@awm-serwis.pl](mailto:info@awm-serwis.pl)**

## NOZZLES & ACCESSORIES



Pos.	Part name	Original code	Description
1	HA267	P0594-860-00001	NOZZLE HOLDER IT HP2" MZP/MEL
2	H288	W390	DOUBLE NOZZLE 4 HOLES
	H835	W270-6	DOUBLE NOZZLE 6 HOLES
	H280	W270	DOUBLE NOZZLE 8 HOLES
	H289	W387	DOUBLE NOZZLE 12 HOLES
	H290	W388	DOUBLE NOZZLE 16 HOLES
	H836	W389	DOUBLE NOZZLE 20 HOLES
	H291	W515	DOUBLE NOZZLE 24 HOLES
	3	HA238	71800027 - BQ933D221H04-P0593-860-00001
4	HA65	W269	DOUBLE NOZZLE TIP
5	HA297		PLASTIC RING

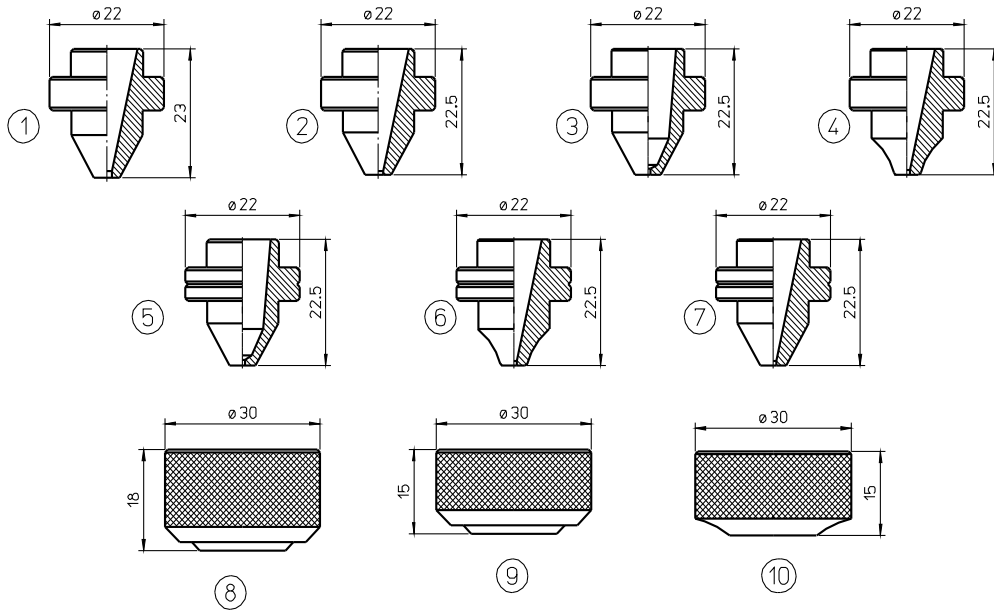
6	HA302		OUTER NOZZLE – 1.7 mm
	HA303		OUTER NOZZLE - 2.0 mm
	HA304		OUTER NOZZLE - 2.5 mm
	HA305		OUTER NOZZLE - 3.0 mm
	HA306		OUTER NOZZLE - 4.0 mm
7	HA341-T	71800155TF - BQ023D021H01	TEFLON INSULATION RING
	HA341-A	71800155AL - BQ023D021H01	ALUMINUM INSULATION RING
8	HA270	71802197 - BQ933D044H01	OUTER NOZZLE
9	H1262	7180015400 - BQ023D020H01	AMAD NOZZLE HIGH SPEED PIERCE - 1.7 mm

For more information about the products listed in the catalog, please contact us.

Information about the price and availability is provided in response to inquiries.

The original codes are placed only in order to make easier the correct specification of the parts.

## NOZZLES & ACCESSORIES



Pos.	Part name	Original code	Description
1	H354		NOZZLE - 1.0 mm
	H363	W777	NOZZLE - 1.2 mm
	H355	W266	NOZZLE - 1.5 mm
	H356	W267	NOZZLE - 2.0 mm
	H357	W776	NOZZLE - 2.5 mm
	H358	W268	NOZZLE - 3.0 mm
	H359	W268-3.5	NOZZLE - 3.5 mm
	2	H1134	71800018 - BQ943D157H01
H1135		71800019 - BQ943D157H02	NOZZLE - 2.0 mm
H1136		71800020 - BQ943D157H03	NOZZLE - 2.5 mm
H1137		71800021 - BQ943D157H04	NOZZLE - 3.0 mm
H1138		71800022 - BQ943D596H01	NOZZLE - 3.5 mm
3		H1125	71800016-BQ943D897H01- W18Q94389701
	H1128	W18Q93309101	HV NOZZLE - 2.5 mm
	H1129	W18Q93309102	HV NOZZLE - 3.0 mm

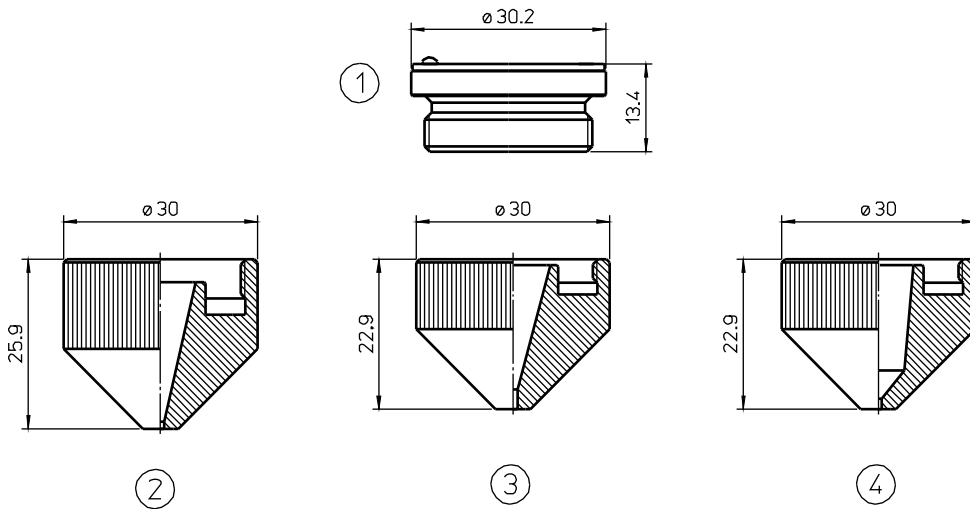
4	H1126	BQ933D283H01	NOZZLE – 1.0 mm WITH RADIUS NO GROOVE
5	H965		NOZZLE - 1.0 mm
	H966		NOZZLE - 1.2 mm
	H967		NOZZLE - 1.5 mm
	H964		NOZZLE - 1.7 mm
	H968		NOZZLE - 2.0 mm
	H969		NOZZLE - 2.5 mm
	6	H1130	71800017-BQ943D269H01- W18Q93326901
7	H1132	W18Q93302701	HV NOZZLE - 1.7 mm
8	HA116	W263	NOZZLE NUT
9	HA240		NOZZLE NUT SHORT
10	HA269	71800026 - BQ933D94H01	NOZZLE NUT SHORT
11	HA267	P0594-860-00001	NOZZLE HOLDER IT HP2" MZP/MEL

For more information about the products listed in the catalog, please contact us.

Information about the price and availability is provided in response to inquiries.

The original codes are placed only in order to make easier the correct specification of the parts.

## NOZZLES & ACCESSORIES



Pos.	Part name	Original code	Description
1	HA267	P0594-860-00001	NOZZLE HOLDER IT HP2" MZP/MEL
2	H398	W1249	SHIELD NOZZLE - 1.0 mm
	H397	W1256	SHIELD NOZZLE - 1.2 mm
	H399	W1250	SHIELD NOZZLE - 1.5 mm
	H702	W1251	SHIELD NOZZLE - 2.0 mm
	H703	W1252	SHIELD NOZZLE - 2.5 mm
	H704	W1253	SHIELD NOZZLE - 3.0 mm
	H705	W1254	SHIELD NOZZLE - 3.5 mm
	H706	W1255	SHIELD NOZZLE - 4.0 mm
3	H910	W1626	NOZZLE - 1.0 mm
	H911	W1627	NOZZLE - 1.2 mm
	H912	W1628	NOZZLE - 1.5 mm
	H913	W1629	NOZZLE - 2.0 mm
	H914	W1630	NOZZLE - 2.5 mm
	H915	W1664	NOZZLE - 3.0 mm
	H916	W1665	NOZZLE - 3.5 mm

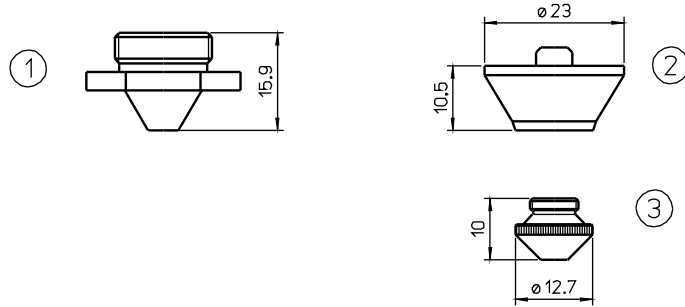
	H917	W1666	NOZZLE - 4.0 mm	
3	H910X	W1626	NOZZLE - 1.0 mm CP	
	H911X	W1627	NOZZLE - 1.2 mm CP	
	H912X	W1628	NOZZLE - 1.5 mm CP	
	H913X	W1629	NOZZLE - 2.0 mm CP	
	H914X	W1630	NOZZLE - 2.5 mm CP	
	H915X	W1664	NOZZLE - 3.0 mm CP	
	H916X	W1665	NOZZLE - 3.5 mm CP	
	H917X	W1666	NOZZLE - 4.0 mm CP	
	4	H1078	W1626B	NOZZLE - 1.0 mm LOW PRESSURE
		H1079	W1627B	NOZZLE - 1.2 mm LOW PRESSURE
H1080		W1628B	NOZZLE - 1.5 mm LOW PRESSURE	
H1081		W1629B	NOZZLE - 2.0 mm LOW PRESSURE	
H1082		W1630B	NOZZLE - 2.5 mm LOW PRESSURE	
H1083		W1664B	NOZZLE - 3.0 mm LOW PRESSURE	
H1084		W1665B	NOZZLE - 3.5 mm LOW PRESSURE	
H1085		W1666B	NOZZLE - 4.0 mm LOW PRESSURE	

For more information about the products listed in the catalog, please contact us.

Information about the price and availability is provided in response to inquiries.

The original codes are placed only in order to make easier the correct specification of the parts.

## NOZZLES & ACCESSORIES



Pos.	Part name	Original code	Description
1	H548		NOZZLE - 1.0 mm
	H549	W001	NOZZLE - 1.5 mm
	H550	W002	NOZZLE - 2.0 mm
	H551	W004	NOZZLE - 2.5 mm
	H552	W003	NOZZLE - 3.0 mm
2	HA138	281079-P0492-430-00003-W149	ORIG. NOZZLE HOLDER KT M1.5" S F2.5
3	H400	280013-P0492-441-00008	FP NOZZLE - 0.8 mm
	H401	280014-P0492-442-00010-W223	FP NOZZLE - 1.0 mm
	H402	280015-P0492-443-00012	FP NOZZLE - 1.2 mm
	H403	280016-P0492-444-00015-W224	FP NOZZLE - 1.5 mm
	H543	P0492-447-00018	FP NOZZLE - 1.8 mm
	H544	P0492-445-00020-W225	FP NOZZLE - 2.0 mm
	H546	P0492-448-00023	FP NOZZLE - 2.3 mm
	H545	281791-P0492-446-00025-W226	FP NOZZLE - 2.5 mm
	H547		FP NOZZLE - 3.0 mm

For more information about the products listed in the catalog, please contact us.

Information about the price and availability is provided in response to inquiries.

The original codes are placed only in order to make easier the correct specification of the parts.



