

# **AWM-SERWIS GUZOWSKI**

**SPARE PARTS FOR  
MAZAK®**



tel./fax (22) 716-37-40; 05-500 Piaseczno ul. Okulickiego 7/9

[www.awm-serwis.pl](http://www.awm-serwis.pl) / [info@awm-serwis.pl](mailto:info@awm-serwis.pl)

## LENSES

Pos	Part name	Original code	Description
1	Standard lens 5.0"	0	Diam. 50,8 mm (2,0") F.L. 127,0 mm (5,0") Thick. 9,65 mm Meniscus
2	Standard lens 7.5"	0	Diam. 50,8 mm (2,0") F.L. 190,5 mm (7,5") Thick. 9,65 mm Meniscus
3	Standard lens Plano convex 5.0"	0	Diam. 50,8 mm (2,0") F.L. 127 mm (5,0") Thick. 9,65 mm Plano-convex
4	Standard lens Plano convex 7,5"	Z50ZZ011770 / Z50ZZ013470 / Z50ZZ005200	Diam. 50,8 mm (2,0") F.L. 190,5 mm (7,5") Thick. 9,65 mm Plano-convex

## MIRRORS

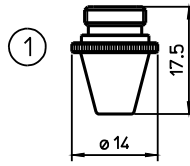
Pos	Part name	Original code	Description
1	Mirror 1	Z50MB000070	Mirror
2	Mirror 2	Z50MB0000602 / Z50ZZ008210	Mirror
3	Mirror 3	Z50MB008690	Mirror
4	Mirror 4	Z50MB012190	Mirror
5	Mirror 5	Z50MBP00520	Mirror
6	Mirror 6	Z50MB011790	Mirror
7	Mirror 7	Z50MB012200	Mirror
8	Mirror 8	Z50MB008510	Mirror

For more information about the products listed in the catalog, please contact us.

Information about the price and availability is provided in response to inquiries.

The original codes are placed only in order to make easier the correct specification of the parts.

## NOZZLES



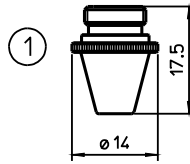
Pos	Part name	Original code	Description
1	H78	46603350508	NOZZLE Ø 0.8
	H69	46603350511	NOZZLE Ø 1.0
	H77	46603350512	NOZZLE Ø 1.2
	H127	4660335052B	NOZZLE Ø 1.5
	H79	46603350517	NOZZLE Ø 1.7
	H281	46603350517-1,8	NOZZLE Ø 1.8
	H80	4660335052C	NOZZLE Ø 2.0
	H282	46603350522-2,2	NOZZLE Ø 2.2
	H124	46603350525	NOZZLE Ø 2.5
	H150	46603350530	NOZZLE Ø 3.0
	H708	46603350530-3,5 / Q660335052F	NOZZLE Ø 3.5
	H709	46603350530-4,0	NOZZLE Ø 4.0
	H710	46603350530-4,5	NOZZLE Ø 4.5
	H711	46603350530-5,0	NOZZLE Ø 5.0

For more information about the products listed in the catalog, please contact us.

Information about the price and availability is provided in response to inquiries.

The original codes are placed only in order to make easier the correct specification of the parts.

## NOZZLES



CP = Chrome Plated

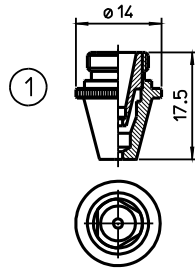
Pos	Part name	Original code	Description
1	H78X	46603350508	NOZZLE Ø 0.8 CP
	H69X	46603350511	NOZZLE Ø 1.0 CP
	H77X	46603350512	NOZZLE Ø 1.2 CP
	H127X	4660335052B	NOZZLE Ø 1.5 CP
	H79X	46603350517	NOZZLE Ø 1.7 CP
	H281X	46603350517-1,8	NOZZLE Ø 1.8 CP
	H80X	4660335052C	NOZZLE Ø 2.0 CP
	H282X	46603350522-2,2	NOZZLE Ø 2.2 CP
	H124X	46603350525	NOZZLE Ø 2.5 CP
	H150X	46603350530	NOZZLE Ø 3.0 CP
	H708X	46603350530-3,5	NOZZLE Ø 3.5 CP
	H709X	46603350530-4,0	NOZZLE Ø 4.0 CP
	H710X	46603350530-4,5	NOZZLE Ø 4.5 CP
	H711X	46603350530-5,0	NOZZLE Ø 5.0 CP

For more information about the products listed in the catalog, please contact us.

Information about the price and availability is provided in response to inquiries.

The original codes are placed only in order to make easier the correct specification of the parts.

## NOZZLES



CP = Chrome Plated

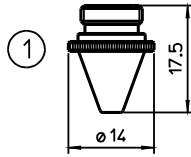
Pos	Part name	Original code	Description
1	H615		DOUBLE NOZZLE Ø 1.0
	H616		DOUBLE NOZZLE Ø 1.2
	H617		DOUBLE NOZZLE Ø 1.5
	H618		DOUBLE NOZZLE Ø 1.7
	H619		DOUBLE NOZZLE Ø 1.8
	H620		DOUBLE NOZZLE Ø 2.0
	H621		DOUBLE NOZZLE Ø 2.2
	H622		DOUBLE NOZZLE Ø 2.5
	H623		DOUBLE NOZZLE Ø 3.0
	H615X		DOUBLE NOZZLE Ø 1.0 CP
	H616X		DOUBLE NOZZLE Ø 1.2 CP
	H617X	46683302380	DOUBLE NOZZLE Ø 1.5 CP
	H618X		DOUBLE NOZZLE Ø 1.7 CP
	H619X		DOUBLE NOZZLE Ø 1.8 CP
	H620X	46683302390	DOUBLE NOZZLE Ø 2.0 CP
	H621X		DOUBLE NOZZLE Ø 2.2 CP
	H622X	46683302400	DOUBLE NOZZLE Ø 2.5 CP
	H623X	46683302410	DOUBLE NOZZLE Ø 3.0 CP

For more information about the products listed in the catalog, please contact us.

Information about the price and availability is provided in response to inquiries.

The original codes are placed only in order to make easier the correct specification of the parts.

## NOZZLES



CP = Chrome Plated

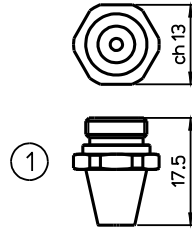
Pos	Part name	Original code	Description	
1	H266	46603350521	NOZZLE Ø 0.8	
	H250	46603350521	NOZZLE Ø 1.0	
	H251	46603350521	NOZZLE Ø 1.2	
	H252	46603350520	NOZZLE Ø 1.5	
	H253	46603350521	NOZZLE Ø 1.7	
	H254	46603350522	NOZZLE Ø 2.0	
	H770	46603350522	NOZZLE Ø 2.5	
	H771	46683301281	NOZZLE Ø 3.0	
	H266X	46603350521	NOZZLE Ø 0.8 CP	
	H250X	46603350521	NOZZLE Ø 1.0 CP	
	H251X	46603350521	NOZZLE Ø 1.2 CP	
	H252X	46603350520	NOZZLE Ø 1.5 CP	
	H253X	46603350521	NOZZLE Ø 1.7 CP	
	H254X	46603350522	NOZZLE Ø 2.0 CP	
	H770X	46603350522	NOZZLE Ø 2.5 CP	
	H771X	46683301281	NOZZLE Ø 3.0 CP	

For more information about the products listed in the catalog, please contact us.

Information about the price and availability is provided in response to inquiries.

The original codes are placed only in order to make easier the correct specification of the parts.

## NOZZLES



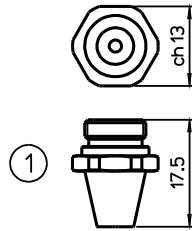
Pos	Part name	Original code	Description	
1	H725	46603350508	HEXAGONAL NOZZLE Ø 0.8	
	H726	46603350511	HEXAGONAL NOZZLE Ø 1.0	
	H727	4660335052A	HEXAGONAL NOZZLE Ø 1.2	
	H728	4660335052B	HEXAGONAL NOZZLE Ø 1.5	
	H729	46603350517	HEXAGONAL NOZZLE Ø 1.7	
	H730	46603350517-1,8	HEXAGONAL NOZZLE Ø 1.8	
	H731	4660335052C	HEXAGONAL NOZZLE Ø 2.0	
	H732	46603350522-2,2	HEXAGONAL NOZZLE Ø 2.2	
	H733	4660335052D	HEXAGONAL NOZZLE Ø 2.5	
	H734	46603350530	HEXAGONAL NOZZLE Ø 3.0	
	H735	46603350530-3,5	HEXAGONAL NOZZLE Ø 3.5	
	H736	46603350530-4,0	HEXAGONAL NOZZLE Ø 4.0	
	H737	46603350530-4,5	HEXAGONAL NOZZLE Ø 4.5	

For more information about the products listed in the catalog, please contact us.

Information about the price and availability is provided in response to inquiries.

The original codes are placed only in order to make easier the correct specification of the parts.

## NOZZLES



CP = Chrome Plated

Pos	Part name	Original code	Description	
1	H725X	46603350508	HEXAGONAL NOZZLE Ø 0.8 CP	
	H726X	46603350511	HEXAGONAL NOZZLE Ø 1.0 CP	
	H727X	4660335052A	HEXAGONAL NOZZLE Ø 1.2 CP	
	H728X	4660335052B	HEXAGONAL NOZZLE Ø 1.5 CP	
	H729X	46603350517	HEXAGONAL NOZZLE Ø 1.7 CP	
	H730X	46603350517-1,8	HEXAGONAL NOZZLE Ø 1.8 CP	
	H731X	4660335052C	HEXAGONAL NOZZLE Ø 2.0 CP	
	H732X	46603350522-2,2	HEXAGONAL NOZZLE Ø 2.2 CP	
	H733X	4660335052D	HEXAGONAL NOZZLE Ø 2.5 CP	
	H734X	46603350530	HEXAGONAL NOZZLE Ø 3.0 CP	
	H735X	46603350530-3,5	HEXAGONAL NOZZLE Ø 3.5 CP	
	H736X	46603350530-4,0	HEXAGONAL NOZZLE Ø 4.0 CP	
	H737X	46603350530-4,5	HEXAGONAL NOZZLE Ø 4.5 CP	

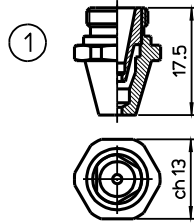
For more information about the products listed in the catalog, please contact us.

Information about the price and availability is provided in response to inquiries.

The original codes are placed only in order to make easier the correct specification of the parts.



## NOZZLES



CP = Chrome Plated

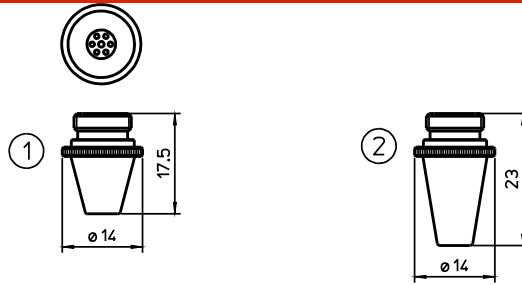
Pos	Part name	Original code	Description
	H1223		DOUBLE NOZZLE HEXAGONAL Ø 1.2
	H1224		DOUBLE NOZZLE HEXAGONAL Ø 1.5
	H1225		DOUBLE NOZZLE HEXAGONAL Ø 1.8
	H1226		DOUBLE NOZZLE HEXAGONAL Ø 2.0
	H1227		DOUBLE NOZZLE HEXAGONAL Ø 2.2
	H1228		DOUBLE NOZZLE HEXAGONAL Ø 2.5
	H1229		DOUBLE NOZZLE HEXAGONAL Ø 3.0
1	H1223X		DOUBLE NOZZLE HEXAGONAL Ø 1.2 CP
	H1224X		DOUBLE NOZZLE HEXAGONAL Ø 1.5 CP
	H1225X		DOUBLE NOZZLE HEXAGONAL Ø 1.8 CP
	H1226X		DOUBLE NOZZLE HEXAGONAL Ø 2.0 CP
	H1227X		DOUBLE NOZZLE HEXAGONAL Ø 2.2 CP
	H1228X		DOUBLE NOZZLE HEXAGONAL Ø 2.5 CP
	H1229X		DOUBLE NOZZLE HEXAGONAL Ø 3.0 CP

For more information about the products listed in the catalog, please contact us.

Information about the price and availability is provided in response to inquiries.

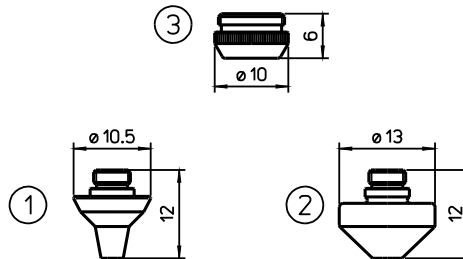
The original codes are placed only in order to make easier the correct specification of the parts.

## NOZZLES



Pos	Part name	Original code	Description
1	H492	46603350523	NOZZLE Ø 1.0 SHOWER
	H493		NOZZLE Ø 1.5 SHOWER
	H497		NOZZLE Ø 2.0 SHOWER

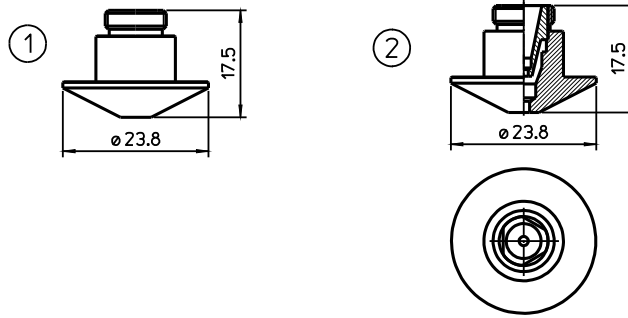
Mazak<sup>®</sup> 3D - Precitec<sup>®</sup> 5°C/MG - 5"H/MG



Pos	Part name	Original code	Description
1	H554	46713300290-10	NOZZLE 3D Ø 1.0
	H555	46713300290-12	NOZZLE 3D Ø 1.2
	H556	46713300290-15	NOZZLE 3D Ø 1.5
	H557		NOZZLE 3D Ø 1.8
	H558	46713300310	NOZZLE 3D Ø 2.0
	H560	46713300280-25	NOZZLE 3D Ø 2.5
	H563	46713300280-30-46713300430	NOZZLE 3D Ø 3.0
	H564	46713300280-35	NOZZLE 3D Ø 3.5
2	H576		NOZZLE Ø 1.0 2D
	H577	46713300310	NOZZLE Ø 1.2 2D
	H578	P0352-386-00015	NOZZLE Ø 1.5 2D
	H579		NOZZLE Ø 1.8 2D
	H580	46713300300	NOZZLE Ø 2.0 2D
	H581	46713300300-25	NOZZLE Ø 2.5 2D
	H582	46713300300-30	NOZZLE Ø 3.0 2D

For more information about the products listed in the catalog, please contact us.  
 Information about the price and availability is provided in response to inquiries.  
 The original codes are placed only in order to make easier the correct specification of the parts.

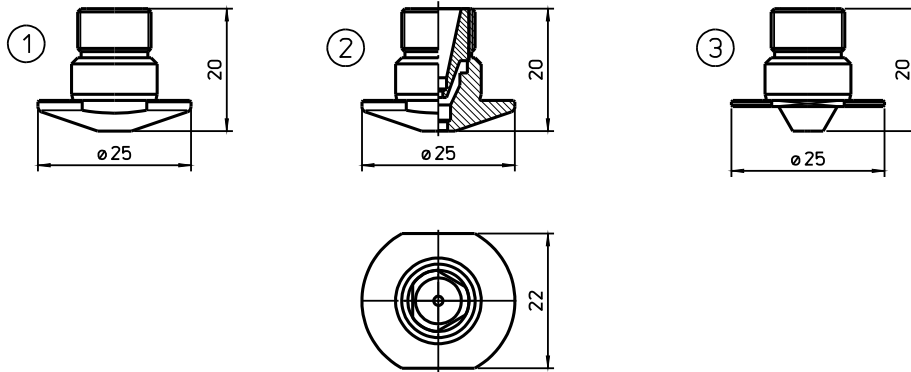
## NOZZLES



Pos	Part name	Original code	Description
1	H428		NOZZLE Ø 1.0
	H423		NOZZLE Ø 1.2
	H429	46683301950	NOZZLE Ø 1.5
	H430	46683301821	NOZZLE Ø 2.0
	H471		NOZZLE Ø 2.2
	H431	46683301960	NOZZLE Ø 2.5
	H432	46683301970	NOZZLE Ø 3.0
	H472		NOZZLE Ø 3.5
	H473		NOZZLE Ø 4.0
	H474		NOZZLE Ø 4.5
	H428X		NOZZLE Ø 1.0 CP
	H423X		NOZZLE Ø 1.2 CP
	H429X	46683301950	NOZZLE Ø 1.5 CP
	H430X	46683301821	NOZZLE Ø 2.0 CP
	H471X		NOZZLE Ø 2.2 CP
	H431X	46683301960	NOZZLE Ø 2.5 CP
	H432X	46683301970	NOZZLE Ø 3.0 CP
	H472X		NOZZLE Ø 3.5 CP
	H473X		NOZZLE Ø 4.0 CP
	H474X		NOZZLE Ø 4.5 CP

For more information about the products listed in the catalog, please contact us.  
 Information about the price and availability is provided in response to inquiries.  
 The original codes are placed only in order to make easier the correct specification of the parts.

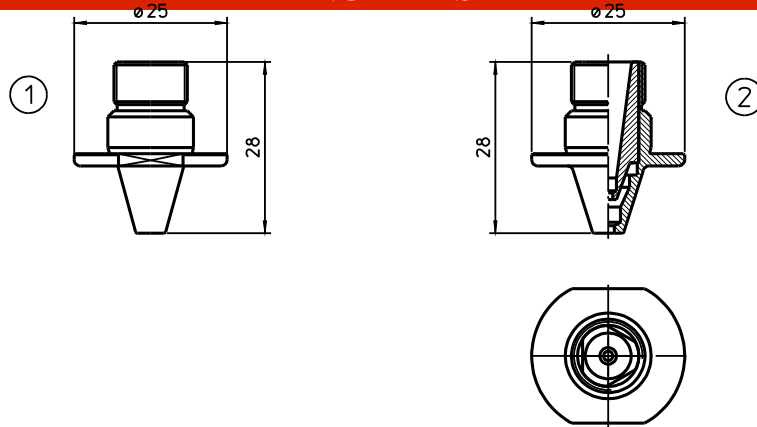
## NOZZLES



Pos	Part name	Original code	Description
1	H949X		NOZZLE Ø 0.8 CP
	H941X		NOZZLE Ø 1.0 CP
	H942X	46143304470	NOZZLE Ø 1.2 CP
	H943X	46143304450	NOZZLE Ø 1.5 CP
	H950X		NOZZLE Ø 1.8 CP
	H944X	46143304460	NOZZLE Ø 2.0 CP
	H945X	46143304480	NOZZLE Ø 2.5 CP
	H946X	46143304490	NOZZLE Ø 3.0 CP
	H947X	46143304500	NOZZLE Ø 3.5 CP
	H948X	46143304510	NOZZLE Ø 4.0 CP
2	H952X		DOUBLE NOZZLE Ø 1.2 CP
	H953X	46143306450	DOUBLE NOZZLE Ø 1.5 CP
	H954X	46143306460	DOUBLE NOZZLE Ø 2.0 CP
	H955X	46143306480	DOUBLE NOZZLE Ø 2.5 CP
	H956X	46143306490	DOUBLE NOZZLE Ø 3.0 CP
	H957X	46143306500	DOUBLE NOZZLE Ø 3.5 CP
	H958X		DOUBLE NOZZLE Ø 4.0 CP

For more information about the products listed in the catalog, please contact us.  
 Information about the price and availability is provided in response to inquiries.  
 The original codes are placed only in order to make easier the correct specification of the parts.

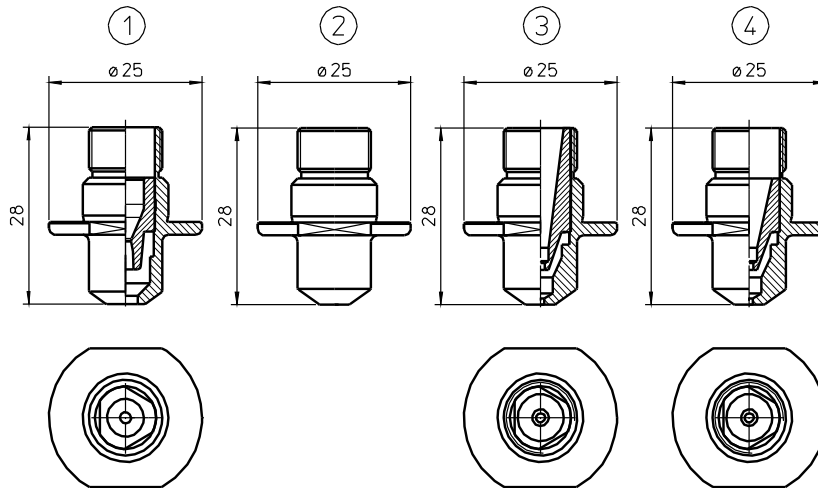
## NOZZLES



Pos	Part name	Original code	Description
1	H1379X		NOZZLE SLIM Ø 0.8 CP
	H1380X		NOZZLE SLIM Ø 1.0 CP
	H1381X	46143310342	NOZZLE SLIM Ø 1.2 CP
	H1382X	46143310352	NOZZLE SLIM Ø 1.5 CP
	H1389X		NOZZLE SLIM Ø 1.8 CP
	H1383X	46143310362	NOZZLE SLIM Ø 2.0 CP
	H1388X		NOZZLE SLIM Ø 2.2 CP
	H1384X	46143310372	NOZZLE SLIM Ø 2.5 CP
	H1385X	46143310382	NOZZLE SLIM Ø 3.0 CP
	H1386X	46143310392	NOZZLE SLIM Ø 3.5 CP
	H1387X	46143310402	NOZZLE SLIM Ø 4.0 CP
2	H1390X		DOUBLE NOZZLE SLIM Ø 0.8 CP
	H1391X		DOUBLE NOZZLE SLIM Ø 1.0 CP
	H1399X		DOUBLE NOZZLE SLIM Ø 1.2 CP
	H1392X	36143311500	DOUBLE NOZZLE SLIM Ø 1.5 CP
	H1400X		DOUBLE NOZZLE SLIM Ø 1.8 CP
	H1393X	36143311510	DOUBLE NOZZLE SLIM Ø 2.0 CP
	H1398X		DOUBLE NOZZLE SLIM Ø 2.2 CP
	H1394X	36143311520	DOUBLE NOZZLE SLIM Ø 2.5 CP
	H1395X	36143311530	DOUBLE NOZZLE SLIM Ø 3.0 CP
	H1396X	36143312380	DOUBLE NOZZLE SLIM Ø 3.5 CP
	H1397X	36143312390	DOUBLE NOZZLE SLIM Ø 4.0 CP
	H1511X		DOUBLE NOZZLE SLIM Ø 4.5 CP
	H1512X		DOUBLE NOZZLE SLIM Ø 5.0 CP

For more information about the products listed in the catalog, please contact us.  
 Information about the price and availability is provided in response to inquiries.  
 The original codes are placed only in order to make easier the correct specification of the parts.

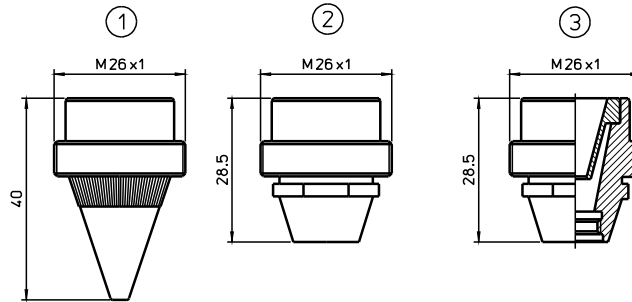
## NOZZLES



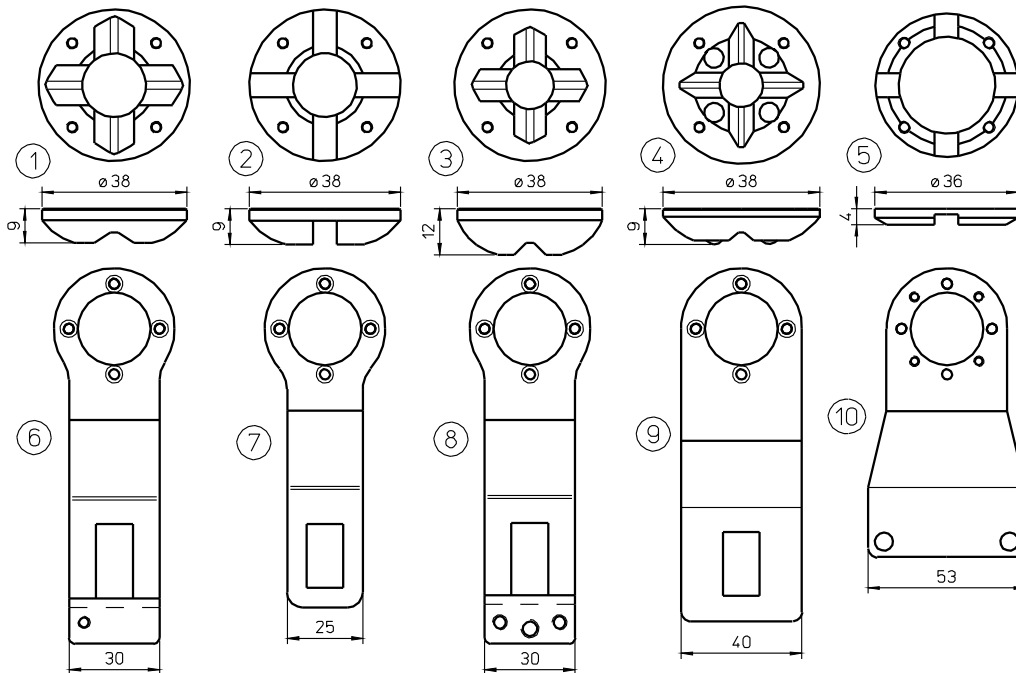
Pos	Part name	Original code	Description
2	H1580X		NOZZLE PENCIL Ø 0.8 CP
	H1581X	06283301190	NOZZLE PENCIL Ø 1.0 CP
	H1582X	36143312220	NOZZLE PENCIL Ø 1.2 CP
	H1583X	36143312230	NOZZLE PENCIL Ø 1.5 CP
	H1584X		NOZZLE PENCIL Ø 1.8 CP
	H1585X	361433122240	NOZZLE PENCIL Ø 2.0 CP
	H1586X		NOZZLE PENCIL Ø 2.2 CP
	H1587X	36143312250	NOZZLE PENCIL Ø 2.5 CP
	H1588X	36143312260	NOZZLE PENCIL Ø 3.0 CP
	H1589X	36143312270	NOZZLE PENCIL Ø 3.5 CP
	H1590X	36143312280	NOZZLE PENCIL Ø 4.0 CP
	H1591X	06143355590	NOZZLE PENCIL Ø 4.5 CP
	H1592X		NOZZLE PENCIL Ø 5.0 CP
	H1593X	06283301830	NOZZLE PENCIL Ø 5.5 CP

For more information about the products listed in the catalog, please contact us.  
 Information about the price and availability is provided in response to inquiries.  
 The original codes are placed only in order to make easier the correct specification of the parts.

## ACCESSORIES



Pos	Part name	Original code	Description
2	HA11	46603350510	NOZZLE ADAPTER BODY
3	HA44		NOZZLE ADAPTER



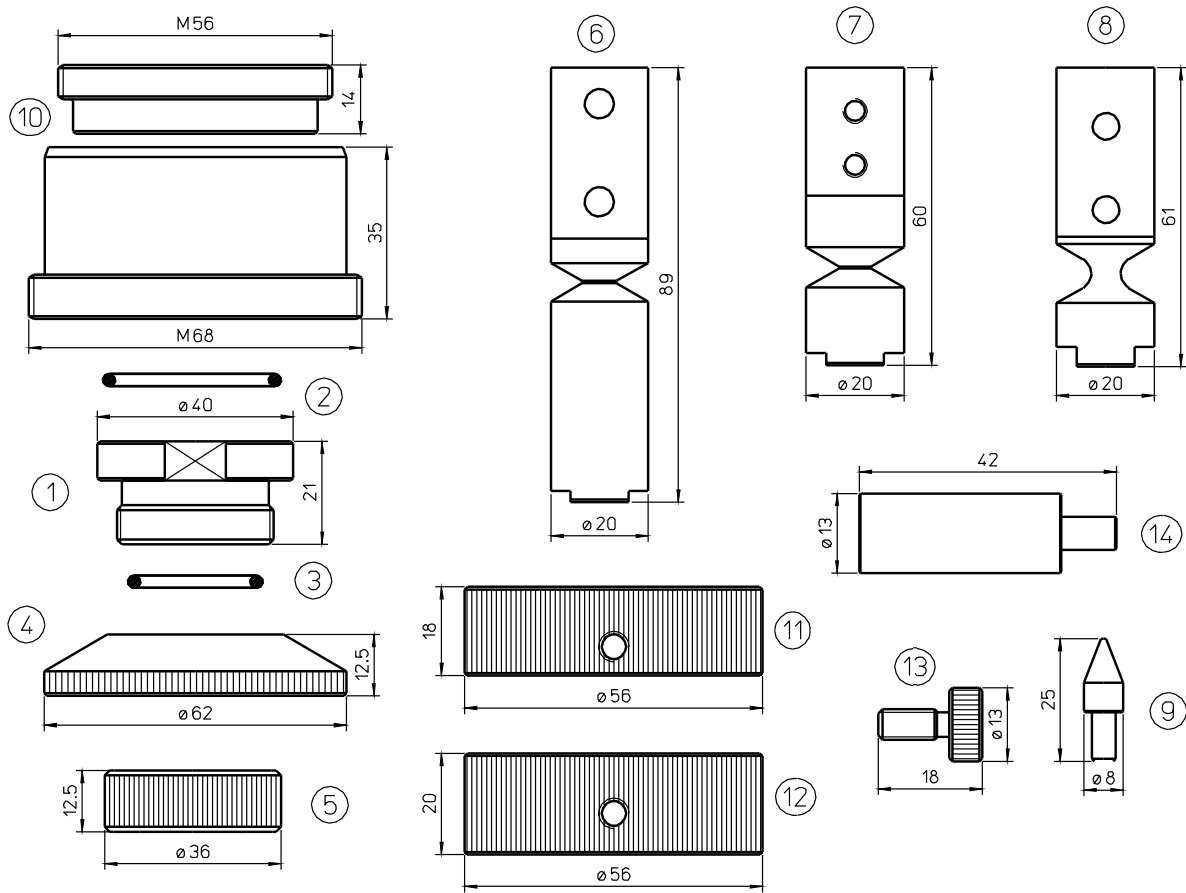
Pos	Part name	Original code	Description
1	HA10	46602350080	STYLUS FOOT H9 - BRASS
	HA15	46572301043	STYLUS FOOT H9 - STEEL
	HA16	46572301045	STYLUS FOOT H9 - PTFE
2	HA132		STYLUS FOOT H9 - BRASS
	HA146		STYLUS FOOT H9 - BRASS CP
	HA133		STYLUS FOOT H9 - STEEL
6	HA64		STYLUS ARM WITH SCREW M4
	HA66	36602300580	STYLUS ARM WITH SCREW M6
7	HA60	36602300560-36682300050	STEEL STYLUS ARM
8	HA167	36682300281	STYLUS ARM - STEEL
9	HA168	36602350020	STYLUS ARM - HIGHER VERSION

For more information about the products listed in the catalog, please contact us.

Information about the price and availability is provided in response to inquiries.

The original codes are placed only in order to make easier the correct specification of the parts.

## ACCESSORIES



Pos	Part name	Original code	Description
1	HA63	46523300080	BASE
2	HA97	J2600S03200	O'RING EXTERNAL BASE - RUBBER
3	HA98	J2600S02200	O'RING INTERNAL BASE
4	HA57	46683300030	RETAINER
5	HA13	46583301720	RETAINER NUT
6	HA12	36602300230	BREAK-AWAY BAR L89 - M8
7	HA14	36682300280	ALUMINIUM BREAK-AWAY BAR L60 - M8
8	HA121	36572300101	BREAK AWAY BAR L61 - M6
9	HA20	46600030013	TABLE PIN - 5PC
11	HA153 HA166	46683300930	RING RING KIT - AL153 + 4 PCS AL152
13	HA152	46683300032	MILD STEEL BOLT M5 X 0.5

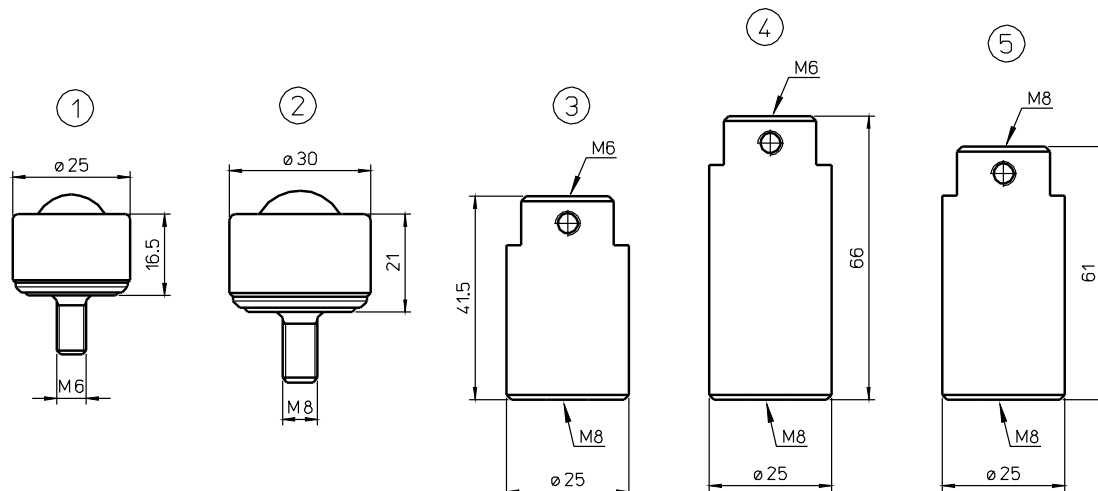
For more information about the products listed in the catalog, please contact us.

Information about the price and availability is provided in response to inquiries.

The original codes are placed only in order to make easier the correct specification of the parts.



## ACCESSORIES



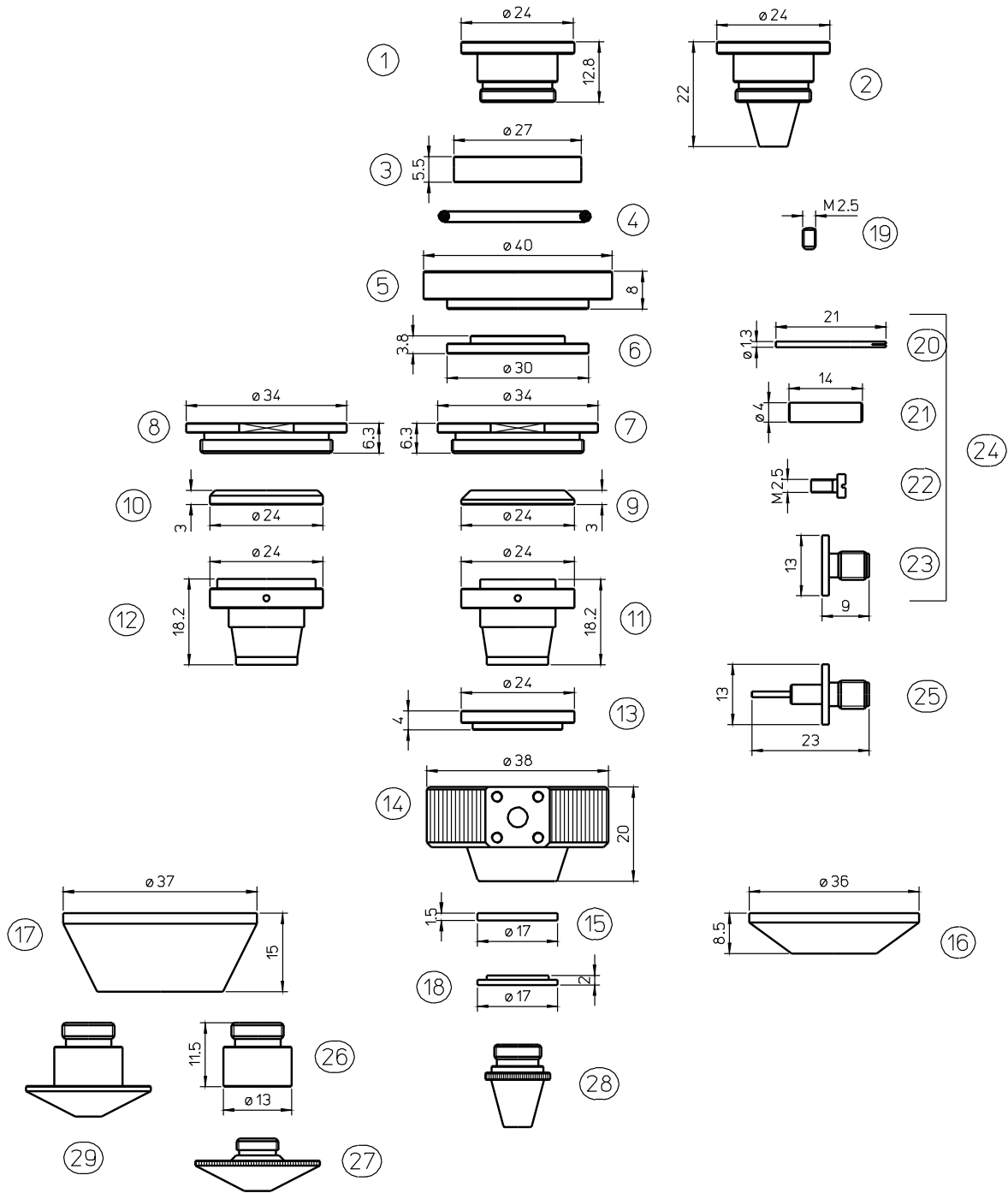
Pos	Part name	Original code	Description
1	HA61	Z21KV000580	FREE TABLE ROLLER
	HA325	Z21KV000580	FREE TABLE ROLLER PKG 2
	HA3061	Z21KV000580	FREE TABLE ROLLER PKG 10
2	HA210	Z21ZZ001160	BIG FREE BALL
3	HA62	46575100321	BLOCK STAINLESS STEEL
4	HA134	46705100050	LONG BLOCK STAINLESS STEEL

For more information about the products listed in the catalog, please contact us.

Information about the price and availability is provided in response to inquiries.

The original codes are placed only in order to make easier the correct specification of the parts.

# ACCESSORIES



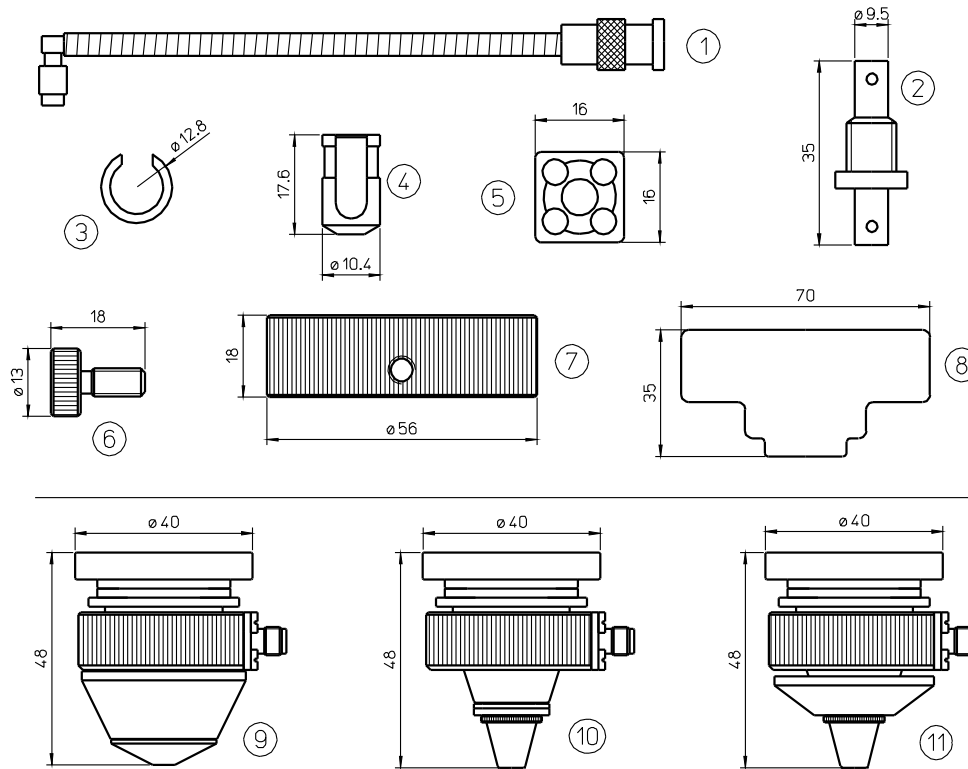
Pos	Part name	Original code	Description
1	HA74	46683301110	CENTRAL COPPER BODY
2	HA112		CENTRAL COPPER BODY-ESSE A. PAT.
3	HA80	46683301080	PTFE SPACER 27x5.5
	HA80/P	46683301080	SPECIAL SPACER 27X5.5 - PLASTIC
	HA280	46683301080	CERAMIC SPACER 27x5.5
4	HA97	J2600S03200	O'RING EXTERNAL BASE - RUBBER
5	HA84	46683301070	BRASS BASE
6	HA79	46683301090	PTFE SPACER 30x4
	HA79/P	46683301090	SPECIAL SPACER 30X4 - PLASTIC
	HA279	46683301090	CERAMIC SPACER 30x4
7	HA83	46683301100	COPPER NUT
8	HA376	46773300510	COPPER NUT
9	HA77	46683301120	PTFE SPACER 24x3
	HA77/P	46683301120	SPECIAL SPACER 24x3 - PLASTIC
	HA277	46683301120	CERAMIC SPACER 24x3
10	HA377	46773300710	CERAMIC SPACER 24x3
11	HA75	46683300850	COPPER NOZZLE HOLDER
12	HA253	46773300720	COPPER NOZZLE HOLDER
13	HA78	46683301130	PTFE SPACER 24x4
	HA78/P	46683301130	SPECIAL SPACER 24X4 - PLASTIC
	HA278	46683301130	CERAMIC SPACER 24x4
14	HA73	46683301140	ALUMINIUM BODY
15	HA81	46683301150	PTFE SPACER 17x1.5
16	HA111	46683301930	PTFE PROTECTION
	HA111/P	46683301930	SPECIAL PROTECTION - PLASTIC
	HA275	46683301930	CERAMIC PROTECTION
17	HA118	46683301841	PTFE SPACER
18	HA82	46683301160	COPPER RING 17x2
19	HA119	46683301180	SCREW FOR CONTACT SLOTTED HEAD
20	HA76	46683301170	CONTACT
21	HA88		CONNECTING PTFE PIPE
22	HA127	46683300000	SCREW FOR CONNECTORS(4 PCS)
23	HA113		CONNECTOR
24	HA154	46683301170	KIT CONNECTOR (AL76-88-127-113)
25	HA213		CONNECTOR ASSEMBLY

For more information about the products listed in the catalog, please contact us.

Information about the price and availability is provided in response to inquiries.

The original codes are placed only in order to make easier the correct specification of the parts.

## ACCESSORIES



Pos	Part name	Original code	Description
1	HA103	46683301980	CONNECTING CABLE FOR SENSOR HEAD
	HA103/S	46683301330	CONNECTING CABLE SENSOR HEAD+3CM
2	HA104		CABLE ADAPTER
3	HA155	46683301870	COVER CLIPS - PTFE
4	HA156	46683301860	CABLE CONNECTOR COVER - PTFE
	HA156/P	46683301860	CABLE CONNECTOR COVER LONG LIFE PLASTIC
5	HA157	46683301850	CONNECTOR COVER - PTFE
	HA157/P	46683301850	CONNECTOR COVER LONG LIFE - PLASTIC
6	HA152	46683300032	MILD STEEL BOLT M5 X 0.5
7	HA153	46683300930	RING
	HA166		RING KIT - AL153 + 4 PCS AL152
8	HA165	46683301230	PLATE

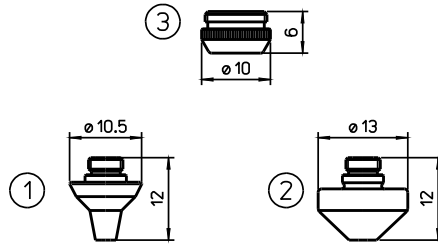
For more information about the products listed in the catalog, please contact us.

Information about the price and availability is provided in response to inquiries.

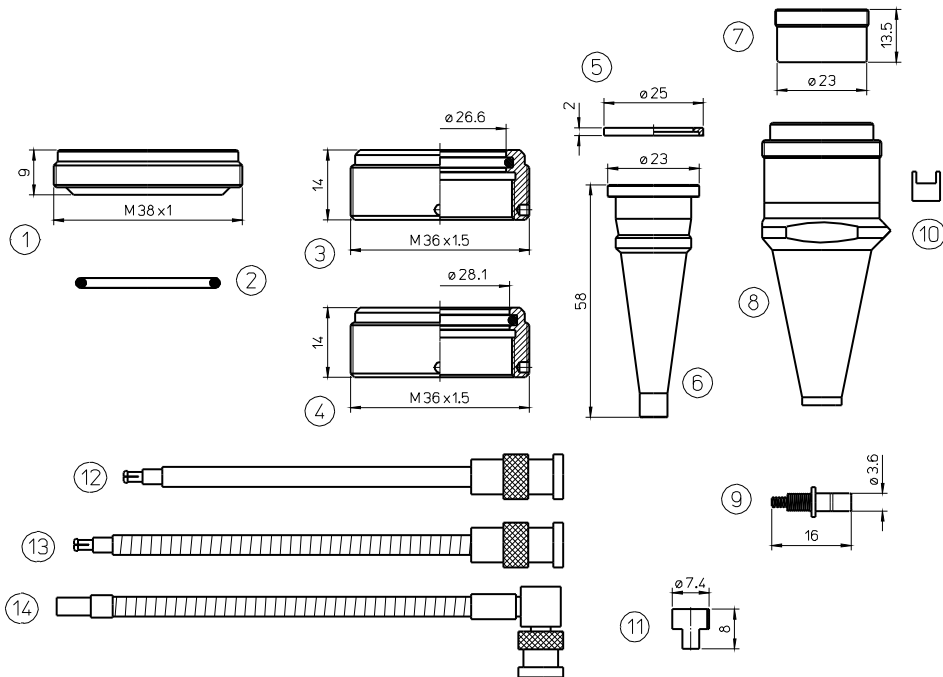
The original codes are placed only in order to make easier the correct specification of the parts.

## ACCESSORIES

*Mazak® 3D - Precitec® 5°C/MG - 5°H/MG*



Pos	Part name	Original code	Description
3	HA160	46713300321-P0352-311-00001	VESPEL NUT - SPACE GEAR



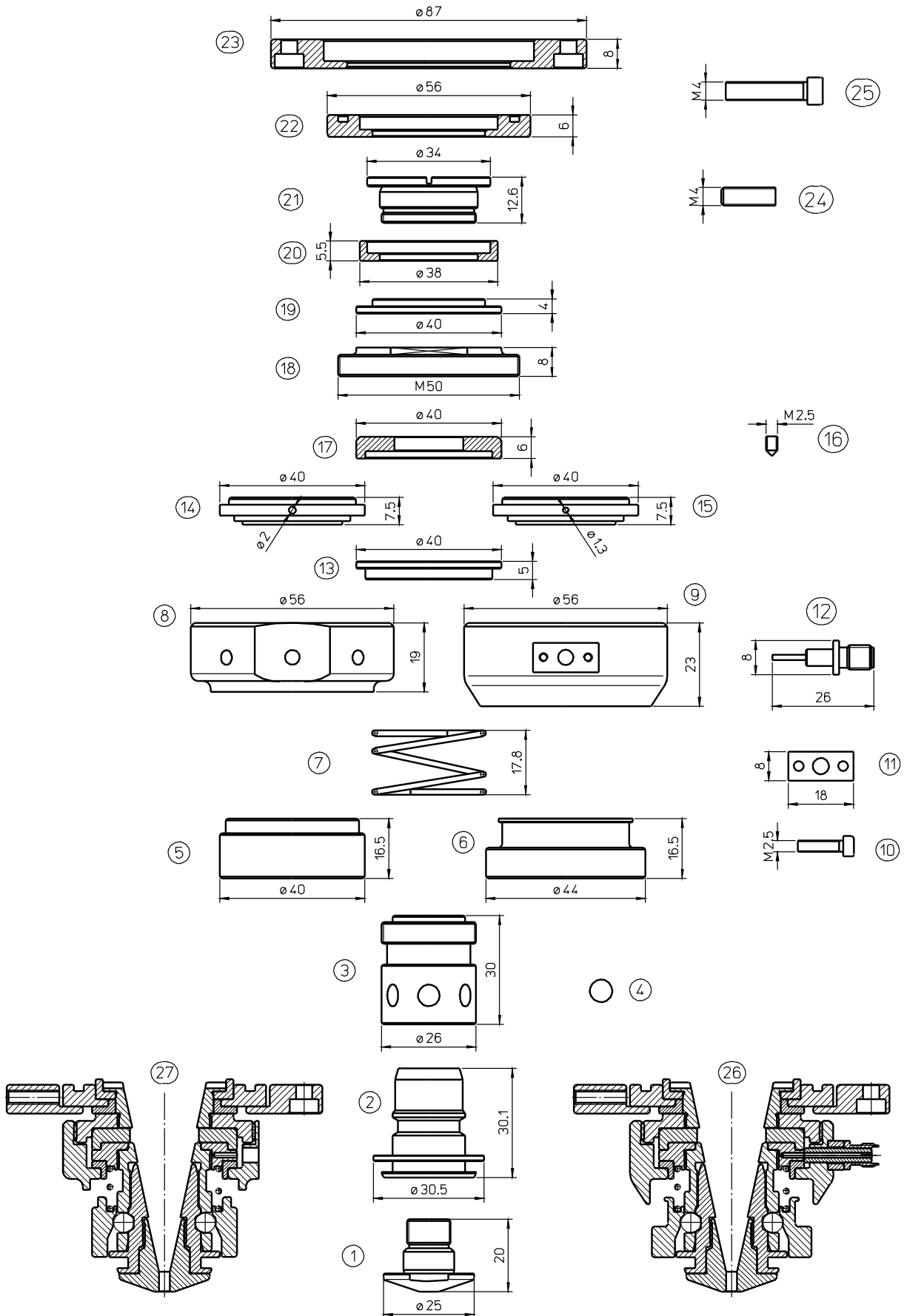
Pos	Part name	Original code	Description
1	HA198	P0492-702-00001-29100021	INSULATING RING - plastic
2	HA94	71366453	O'RING FOR NOZZLE OUTER
3	HA218	46713330200	5-AXIS INSULATOR
4	HA221	46713330920	INSULATION RING
5	HA350	46713330960	WASHER FOR CONE
6	HA349	46713330930	INNER SENSOR CONE
7	HA353	46713330940	TORCH INNER TOP
8	HA351	46713331240	TORCH OUTER HNP
9	HA354	46713331111	CONNECTOR
10	HA356	46713330951	CONNECTOR CAP
11	HA256		INSULATOR COLLAR
12	HA204	P0360-100-00500 / 46713300100	ORIG. SENSOR CABLE KE 500 Z
13	HA257	P0360-155-00500 / 281386	ELECTRODE CABLE
14	HA358	46743300181	CONNECTING CABLE FOR SENSOR HEAD
	HA364	46743300183	CONNECTING CABLE L=35 CM

For more information about the products listed in the catalog, please contact us.

Information about the price and availability is provided in response to inquiries.

The original codes are placed only in order to make easier the correct specification of the parts.

# ACCESSORIES



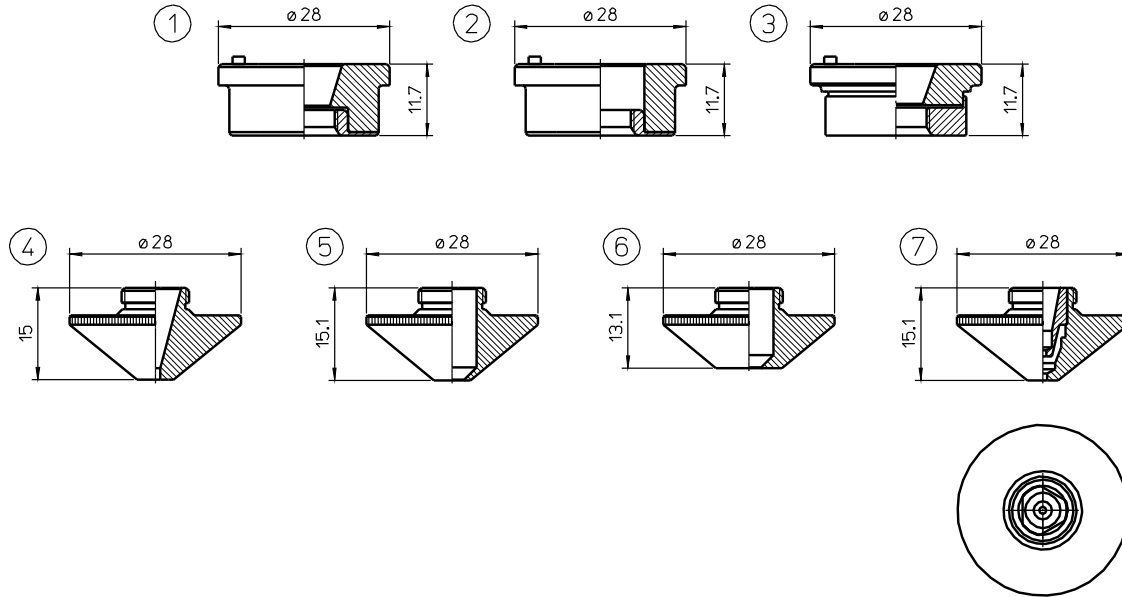
Pos	Part name	Original code	Description
2	HA242	36143304420	H.G. NOZZLE HOLDER
3	HA291	36143304400	H.G. COUPLER
4	HA311	46143300230	H.G. KIT BALL - 6 PCS
5	HA292	46143304430	H.G. SPRING RETAINER
6	HA314	46143308000	H.G. RETAINER SPRING STEEL
7	HA289	46143300220	H.G. SPRING
8	HA293	36143303242	H.G. BODY
9	HA313	36143307980	H.G. ALUMINUM BODY
10	HA317	A05GS002560	H.G. SCREW FOR CONNECTOR - 2 PCS
11	HA318	46143308170	H.G. SPACER FOR CONNECTOR ALUMINUM
12	HA315	46143308190	H.G. CONNECTOR
13	HA284	46143300240	H.G. CERAMIC INSULATOR 40 x 5
	HA384	46143300240	H.G. PTFE INSULATOR 40 x 5
14	HA287	46143304250	H.G. RETAINER NUT W/AMPLIF. HOLE 2.0
15	HA295	46143307420	H.G. RETAINER NUT W/AMPLIF. HOLE 1.3
16	HA322	46683301180	H.G. SCREW HEX DRIVE
17	HA290	46143304440	H.G. INSULATOR CERAMIC 40 x 6
	HA390	46143304440	H.G. PTFE INSULATOR 40 x 6
18	HA294	46143300290	H.G. RETAINER NUT
19	HA285	46143300260	H.G. CERAMIC INSULATOR 40 x 4
	HA385	46143300260	H.G. PTFE INSULATOR 40 x 4
20	HA286	46143300270	H.G. INSULATOR CERAMIC 38 x 5,5
	HA386	46143300270	H.G. PTFE INSULATOR 38 x 5,5
21	HA288	46143300280	H.G. RETAINER NUT W/CONE
22	HA316	46143300320	H.G. RING BRASS
23	HA320	36143300332	H.G. RING ALUMINUM
24	HA321		H.G. SCREW FOR HEAD CENTERING - 4 PCS
25	HA319	A06CB040160	H.G. SET SCREWS FOR HEAD - 4 PCS

For more information about the products listed in the catalog, please contact us.

Information about the price and availability is provided in response to inquiries.

The original codes are placed only in order to make easier the correct specification of the parts.

## ACCESSORIES



Pos	Part name	Original code	Description
1	HA355	P0571-1051-00001	ORIGINAL NOZZLE HOLDER KT B2" CON
	HA495	P0571-1051-00001	NOZZLE HOLDER KT B2" CON
	HA380	P0571-1051-00001	NOZZLE HOLDER KT B2" CON
2	HA23	281330 / P0571-260-00001	ORIGINAL NOZZLE HOLDER KT B2"
	HA131	281330 / P0571-260-00001	NOZZLE HOLDER KT B2"
	HA421	281330 / P0571-260-00001	NOZZLE HOLDER KT B2"
3	HA331		NOZZLE HOLDER KT B2" CON

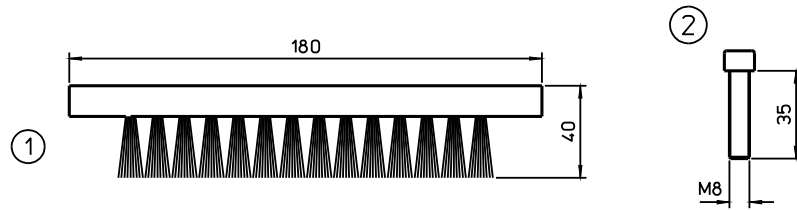
For more information about the products listed in the catalog, please contact us.

Information about the price and availability is provided in response to inquiries.

The original codes are placed only in order to make easier the correct specification of the parts.



## ACCESSORIES



Pos	Part name	Original code	Description
1	HA301		BRUSH 180X30X20 WITH SCREWS
2	333884	333884	PLASTIC SCREWS - 2 pcs

## FILTERS

Pos	Part name	Original code	Description
1	71232023	71232023	FILTER VACUUM PUMP

For more information about the products listed in the catalog, please contact us.  
 Information about the price and availability is provided in response to inquiries.  
 The original codes are placed only in order to make easier the correct specification of the parts.