

AWM-SERWIS GUZOWSKI

**SPARE PARTS FOR
LVD®**



tel./fax (22) 716-37-40; 05-500 Piaseczno ul. Okulickiego 7/9

www.awm-serwis.pl / info@awm-serwis.pl

LENSES FOR CO2 LASER

Pos.	Part name	Original code	Description
1	Standard lens 5,0"	29100154	Diam. 50,8 mm (2,0") F.L. 127,0 mm (5,0") Thick. 9,65 mm Meniscus
2	Standard lens 7,5"	29100055	Diam. 50,8 mm (2,0") F.L. 190,5 mm (7,5") Thick. 9,65 mm Meniscus
3	Standard lens 10,0"	29100061	Diam. 50,8 mm (2,0") F.L. 254 mm (10,0") Thick. 9,65 mm Meniscus
4	Standard lens 5,0"	29100115	Diam. 44,45 mm (1,75") F.L. 127,0mm (5,0") Thick. 9,0 mm Meniscus

DEBRIS SHIELD

Pos.	Part name	Original code	Description
1	Debris shield octagonal	71570026	Diam. 33 mm Thick. 1,65 mm

MIRRORS

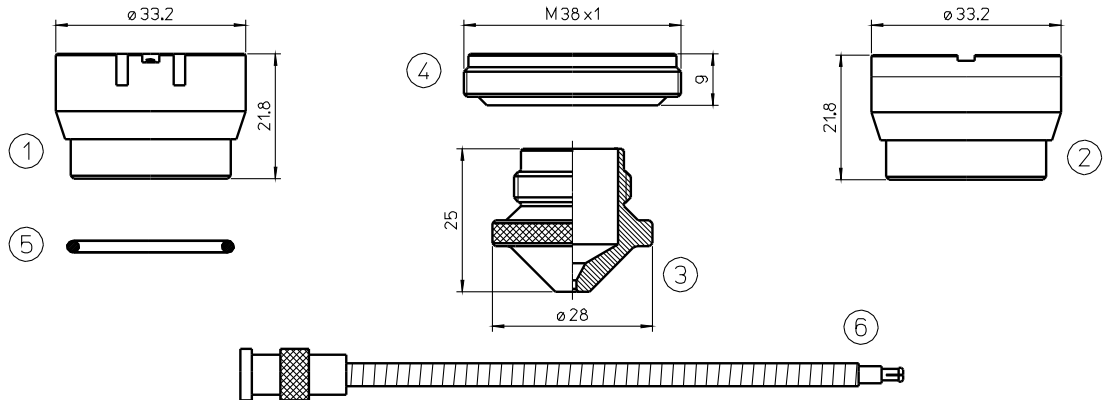
Pos.	Part name	Original code	Description
1	Mirror 1	29100039	Mirror
2	Mirror 2	29100038	Mirror
3	Mirror 3	29100048	Mirror
4	Mirror 4	29100037	Mirror

For more information about the products listed in the catalog, please contact us.

Information about the price and availability is provided in response to inquiries.

The original codes are placed only in order to make easier the correct specification of the parts.

NOZZLES & ACCESSORIES



Pos.	Part name	Original code	Description
1	HA130	281146 / 29100033 / P0380-211-00001	ORIG. NOZ. HOLDER IT M1.5" DZ - ALUMINUM
	HA130/S	281146 / 29100033 / P0380-211-00001	NOZZLE HOLDER IT M1.5" DZ - ALUMINUM
2	HA40	280565 / 29100106 / P0497-605-00001	ORIG. NOZ. HOLDER KT M1.5"DXN - CERAMIC
	P497-615-00001	P0497-615-00001	ORIG. NOZZLE HOLDER KT M1.5" DXN-P.
3	H757	D5241993	NOZZLE Ø 0.8 - CYLINDRICAL
	H141	D7945470	NOZZLE Ø 1.0 - CYLINDRICAL
	H758	D5241982	NOZZLE Ø 1.2 - CYLINDRICAL
	H142	D7945434	NOZZLE Ø 1.5 - CYLINDRICAL
	H143	D7945452	NOZZLE Ø 2.0 - CYLINDRICAL
	H144	D7945517	NOZZLE Ø 2.5 - CYLINDRICAL
	H145	0	NOZZLE Ø 3.0 - CYLINDRICAL
	H757X	D5241993	NOZZLE Ø 0.8 CP - CYLINDRICAL
	H141X	D7945470	NOZZLE Ø 1.0 CP - CYLINDRICAL
	H758X	D5241982	NOZZLE Ø 1.2 CP - CYLINDRICAL
	H142X	D7945434	NOZZLE Ø 1.5 CP - CYLINDRICAL
	H143X	D7945452	NOZZLE Ø 2.0 CP - CYLINDRICAL
	H144X	D7945517	NOZZLE Ø 2.5 CP - CYLINDRICAL
	H145X	0	NOZZLE Ø 3.0 CP - CYLINDRICAL

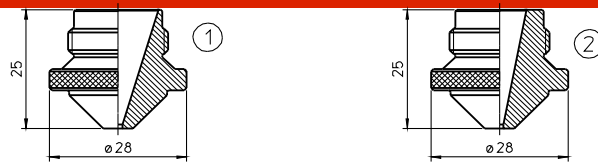
4	HA198	P0492-702-00001 / 29100021	INSULATING RING - plastic
	HA201	P0492-702-00002	INSULATING RING - plastic
5	HA94	71366453	O'RING FOR NOZZLE OUTER
6	HA204	P0360-100-00500 / 46713300100	ORIG. SENSOR CABLE KE 500 Z
	HA202	P0497-002-00450	ORIG. CABLE KE 450 gg

For more information about the products listed in the catalog, please contact us.

Information about the price and availability is provided in response to inquiries.

The original codes are placed only in order to make easier the correct specification of the parts.

NOZZLES & ACCESSORIES



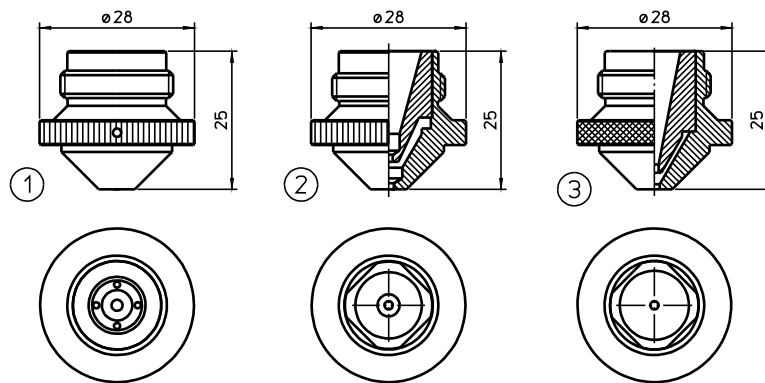
Pos.	Part name	Original code	Description
1	H151	D5241863	NOZZLE Ø 1.0 HD - CONICAL
	H759	0	NOZZLE Ø 1.2HD - CONICAL
	H152	D5241862	NOZZLE Ø 1.5 HD - CONICAL
	H748	D5242512	NOZZLE Ø 1.7 HD - CONICAL
	H146	D5241855	NOZZLE Ø 2.0 HD - CONICAL
	H749	D5242513-Z000000539D	NOZZLE Ø 2.3 HD - CONICAL
	H147	D5241856-Z000000563B	NOZZLE Ø 2.5 HD - CONICAL
	H148	D5241857-Z000000540B	NOZZLE Ø 3.0 HD- CONICAL
	H149	D5241877-Z000000564B	NOZZLE Ø 3.5 HD - CONICAL
	H283	D5241878-Z000000565B	NOZZLE Ø 4.0 HD - CONICAL
	H1303	D5242531-Z000000566B	NOZZLE Ø 4.5 HD - CONICAL
	H1304	D5242535-Z000000567B	NOZZLE Ø 5.0 HD - CONICAL
	H1305	D5242536-Z000000568B	NOZZLE Ø 6.0 HD - CONICAL
	H151X	D5241863	NOZZLE Ø 1.0 HD CP - CONICAL
	H759X	0	NOZZLE Ø 1.2 HD CP - CONICAL
	H152X	D5241862	NOZZLE Ø 1.5 HD CP - CONICAL
	H748X	D5242512	NOZZLE Ø 1.7 HD CP - CONICAL
	H146X	D5241855	NOZZLE Ø 2.0 HD CP - CONICAL
	H749X	D5242513	NOZZLE Ø 2.3 HD CP - CONICAL
	H147X	D5241856	NOZZLE Ø 2.5 HD CP - CONICAL
	H148X	D5241857	NOZZLE Ø 3.0 HD CP - CONICAL
	H149X	D5241877	NOZZLE Ø 3.5 HD CP - CONICAL
	H283X	D5241878	NOZZLE Ø 4.0 HD CP - CONICAL

For more information about the products listed in the catalog, please contact us.

Information about the price and availability is provided in response to inquiries.

The original codes are placed only in order to make easier the correct specification of the parts.

NOZZLES & ACCESSORIES



Pos.	Part name	Original code	Description
1	H1290	G8040180	DOUBLE NOZZLE W/SPRING Ø 2.5 INNER Ø 1.3
	H1291	G8040135	DOUBLE NOZZLE W/SPRING Ø 2.5 INNER Ø 1.5
	H1292	G8040132	DOUBLE NOZZLE W/SPRING Ø 3.0 INNER Ø 2.0
	H1293	G8040182	DOUBLE NOZZLE W/SPRING Ø 3.0 INNER Ø 1.3
	H1294		DOUBLE NOZZLE W/SPRING Ø 3.0 INNER Ø 1.5
	H1290X	G8040180	DOUBLE NOZZLE W/SPRING Ø 2.5 INNER Ø 1.3 CP
	H1291X	G8040135	DOUBLE NOZZLE W/SPRING Ø 2.5 INNER Ø 1.5 CP
	H1292X	G8040132	DOUBLE NOZZLE W/SPRING Ø 3.0 INNER Ø 2.0 CP
	H1293X	G8040182	DOUBLE NOZZLE W/SPRING Ø 3.0 INNER Ø 1.3 CP
	H1294X		DOUBLE NOZZLE W/SPRING Ø 3.0 INNER Ø 1.5 CP
2	H783	0	DOUBLE NOZZLE Ø 1.0
	H782	0	DOUBLE NOZZLE Ø 1.2
	H784	29100304	DOUBLE NOZZLE Ø 1.5
	H785	29100307	DOUBLE NOZZLE Ø 2.0
	H786	29100305	DOUBLE NOZZLE Ø 2.5
	H787	29100306	DOUBLE NOZZLE Ø 3.0
	H788	0	DOUBLE NOZZLE Ø 3.5
	H789	0	DOUBLE NOZZLE Ø 4.0
	H783X	0	DOUBLE NOZZLE Ø 1,0 CP
	H782X	0	DOUBLE NOZZLE Ø 1.2 CP
	H784X	0	DOUBLE NOZZLE Ø 1,5 CP
	H785X	0	DOUBLE NOZZLE Ø 2,0 CP
	H786X	0	DOUBLE NOZZLE Ø 2,5 CP
	H787X	0	DOUBLE NOZZLE Ø 3,0 CP
	H788X	0	DOUBLE NOZZLE Ø 3,5 CP
H789X	0	DOUBLE NOZZLE Ø 4,0 CP	

For more information about the products listed in the catalog, please contact us.

Information about the price and availability is provided in response to inquiries.

The original codes are placed only in order to make easier the correct specification of the parts.