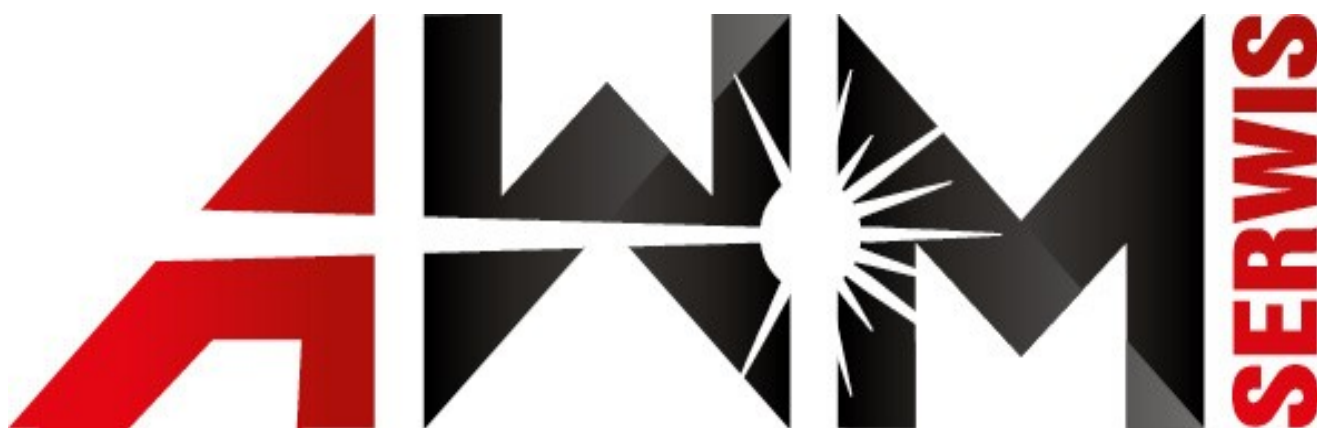


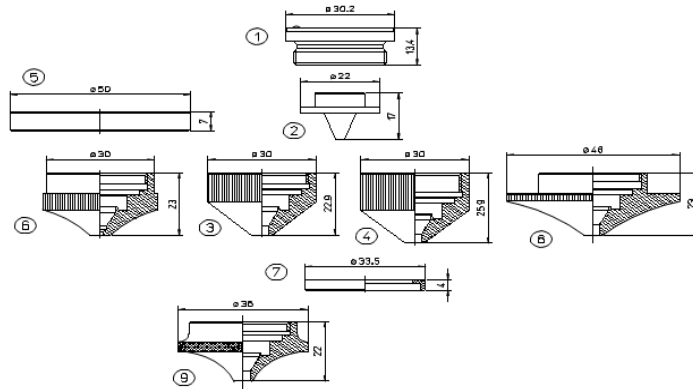
# **AWM-SERWIS GUZOWSKI**

**KATALOG CZĘŚCI ZAMIENNYCH  
MITSUBISHI®**

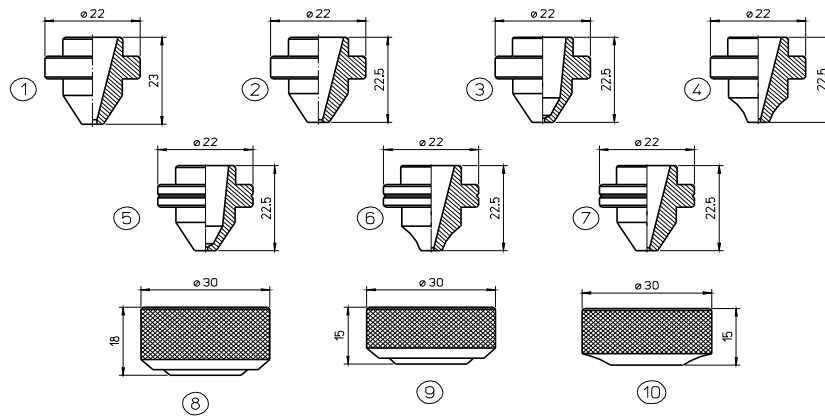


tel./fax (22) 716-37-40; 05-500 Piaseczno ul. Okulickiego 7/9  
[www.awm-serwis.pl](http://www.awm-serwis.pl) e-mail: [info@awm-serwis.pl](mailto:info@awm-serwis.pl)

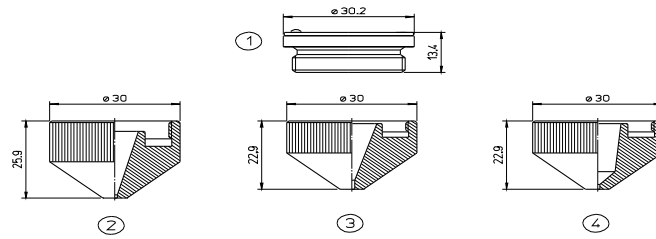




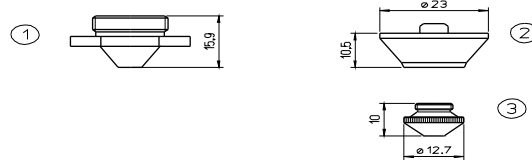
POZ.	NR AWM	NR MITSUBISHI	OPIS
1	HA267	P0594-860-00001	PRECITEC NOZZLE HOLDER IT HP2* MZP/MEL
2	H288	W390	mitsubishi double nozzle 4 holes
	H835	W270-6	mitsubishi double nozzle 6 holes
	H280	W270	mitsubishi double nozzle 8 holes
	H289	W387	mitsubishi double nozzle 12 holes
	H290	W388	mitsubishi double nozzle 16 holes
	H836	W389	mitsubishi double nozzle 20 holes
	H291	W515	mitsubishi double nozzle 24 holes
	3	HA238	71800027 - BQ933D221H04-P0593-860-00001
4	HA65	W269	mitsubishi double nozzle tip
5	HA297		AMADA - MITSUBISHI PLASTIC RING
6	HA302		AMADA - MITSUBISHI OUTER NOZZLE - 1.7 mm
	HA303		AMADA - MITSUBISHI OUTER NOZZLE - 2.0 mm
	HA304		AMADA - MITSUBISHI OUTER NOZZLE - 2.5 mm
	HA305		AMADA - MITSUBISHI OUTER NOZZLE - 3.0 mm
	HA306		AMADA - MITSUBISHI OUTER NOZZLE - 4.0 mm
	7	HA341-T	71800155TF - BQ023D021H01
HA341-A		71800155AL - BQ023D021H01	AMADA - MITSUBISHI ALUMINUM INSULATION RING
8	HA270	71802197 - BQ933D044H01	AMADA - MITSUBISHI OUTER NOZZLE
9	H1262	7180015400 - BQ023D020H01	AMAD NOZZLE HIGH SPEED PIERCE - 1.7 mm



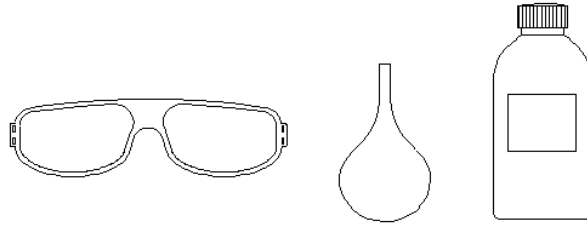
POZ.	NR AWM	NR MITSUBISHI	OPIS
1	H354		mitsubishi nozzle - 1.0 mm
	H363	W777	mitsubishi nozzle - 1.2 mm
	H355	W266	mitsubishi nozzle - 1.5 mm
	H356	W267	mitsubishi nozzle - 2.0 mm
	H357	W776	mitsubishi nozzle - 2.5 mm
	H358	W268	mitsubishi nozzle - 3.0 mm
	H359	W268-3.5	mitsubishi nozzle - 3.5 mm
	2	H1134	71800018 - BQ943D157H01
H1135		71800019 - BQ943D157H02	AMADA - MITSUBISHI NOZZLE - 2.0 mm
H1136		71800020 - BQ943D157H03	AMADA - MITSUBISHI NOZZLE - 2.5 mm
H1137		71800021 - BQ943D157H04	AMADA - MITSUBISHI NOZZLE - 3.0 mm
H1138		71800022 - BQ943D596H01	AMADA - MITSUBISHI NOZZLE - 3.5 mm
3	H1125	71800016-BQ943D897H01-W18Q94389701	AMADA - MITSUBISHI HV NOZZLE - 1.0 mm
	H1128	W18Q93309101	AMADA - MITSUBISHI HV NOZZLE - 2.5 mm
	H1129	W18Q93309102	AMADA - MITSUBISHI HV NOZZLE - 3.0 mm
4	H1126	BQ933D283H01	AMADA - MITSUBISHI NOZZLE - 1.0 mm WITH RADIUS NO GROOVE
5	H965		mitsubishi nozzle - 1.0 mm
	H966		mitsubishi nozzle - 1.2 mm
	H967		mitsubishi nozzle - 1.5 mm
	H964		mitsubishi nozzle - 1.7 mm
	H968		mitsubishi nozzle - 2.0 mm
	H969		mitsubishi nozzle - 2.5 mm
6	H1130	71800017-BQ943D269H01-W18Q93326901	AMADA - MITSUBISHI HV NOZZLE - 1.2 mm WITH RADIUS
7	H1132	W18Q93302701	AMADA - MITSUBISHI HV NOZZLE - 1.7 mm
8	HA116	W263	mitsubishi nozzle nut
9	HA240		mitsubishi nozzle nut short
10	HA269	71800026 - BQ933D94H01	AMADA - MITSUBISHI NOZZLE NUT SHORT
11	HA267	P0594-860-00001	PRECITEC NOZZLE HOLDER IT HP2" MZP/MEL



POZ.	NR AWM	NR MITSUBISHI	OPIS
1	HA267	P0594-860-00001	PRECITEC NOZZLE HOLDER IT HP2" MZP/MEL
2	H398	W1249	MITSUBISHI SHIELD NOZZLE - 1.0 mm
	H397	W1256	MITSUBISHI SHIELD NOZZLE - 1.2 mm
	H399	W1250	MITSUBISHI SHIELD NOZZLE - 1.5 mm
	H702	W1251	MITSUBISHI SHIELD NOZZLE - 2.0 mm
	H703	W1252	MITSUBISHI SHIELD NOZZLE - 2.5 mm
	H704	W1253	MITSUBISHI SHIELD NOZZLE - 3.0 mm
	H705	W1254	MITSUBISHI SHIELD NOZZLE - 3.5 mm
	H706	W1255	MITSUBISHI SHIELD NOZZLE - 4.0 mm
3	H910	W1626	MITSUBISHI NOZZLE - 1.0 mm
	H911	W1627	MITSUBISHI NOZZLE - 1.2 mm
	H912	W1628	MITSUBISHI NOZZLE - 1.5 mm
	H913	W1629	MITSUBISHI NOZZLE - 2.0 mm
	H914	W1630	MITSUBISHI NOZZLE - 2.5 mm
	H915	W1664	MITSUBISHI NOZZLE - 3.0 mm
	H916	W1665	MITSUBISHI NOZZLE - 3.5 mm
	H917	W1666	MITSUBISHI NOZZLE - 4.0 mm
	H910X	W1626	MITSUBISHI NOZZLE - 1.0 mm CP
	H911X	W1627	MITSUBISHI NOZZLE - 1.2 mm CP
	H912X	W1628	MITSUBISHI NOZZLE - 1.5 mm CP
	H913X	W1629	MITSUBISHI NOZZLE - 2.0 mm CP
	H914X	W1630	MITSUBISHI NOZZLE - 2.5 mm CP
	H915X	W1664	MITSUBISHI NOZZLE - 3.0 mm CP
	H916X	W1665	MITSUBISHI NOZZLE - 3.5 mm CP
	H917X	W1666	MITSUBISHI NOZZLE - 4.0 mm CP
	4	H1078	W1626B
H1079		W1627B	MITSUBISHI NOZZLE - 1.2 mm LOW PRESSURE
H1080		W1628B	MITSUBISHI NOZZLE - 1.5 mm LOW PRESSURE
H1081		W1629B	MITSUBISHI NOZZLE - 2.0 mm LOW PRESSURE
H1082		W1630B	MITSUBISHI NOZZLE - 2.5 mm LOW PRESSURE
H1083		W1664B	MITSUBISHI NOZZLE - 3.0 mm LOW PRESSURE
H1084		W1665B	MITSUBISHI NOZZLE - 3.5 mm LOW PRESSURE
H1085		W1666B	MITSUBISHI NOZZLE - 4.0 mm LOW PRESSURE



POZ.	NR AWM	NR MITSUBISHI	OPIS
1	H548		mitsubishi nozzle - 1.0 mm
	H549	W001	mitsubishi nozzle - 1.5 mm
	H550	W002	mitsubishi nozzle - 2.0 mm
	H551	W004	mitsubishi nozzle - 2.5 mm
	H552	W003	mitsubishi nozzle - 3.0 mm
2	HA138	281079-P0492-430-00003-W149	PRECITEC ORIG. NOZZLE HOLDER KT M1.5" S F2.5
3	H400	280013-P0492-441-00008	PRECITEC FP NOZZLE - 0.8 mm
	H401	280014-P0492-442-00010-W223	PRECITEC FP NOZZLE - 1.0 mm
	H402	280015-P0492-443-00012	PRECITEC FP NOZZLE - 1.2 mm
	H403	280016-P0492-444-00015-W224	PRECITEC FP NOZZLE - 1.5 mm
	H543	P0492-447-00018	PRECITEC FP NOZZLE - 1.8 mm
	H544	280937-P0492-445-00020-W225	PRECITEC FP NOZZLE - 2.0 mm
	H546	P0492-448-00023	PRECITEC FP NOZZLE - 2.3 mm
	H545	281791-P0492-446-00025-W226	PRECITEC FP NOZZLE - 2.5 mm
	H547		PRECITEC FP NOZZLE - 3.0 mm
4		W429A	SENSOR REPAIR W429A
		W239	SENSOR REPAIR W239



POZ.	NR AWM	NR MITSUBISHI	OPIS
1	MLECZKO_250		MLECZKO DO POLEROWANIA OPTYKI - 250 ml
2	MLECZKO_50		MLECZKO DO POLEROWANIA OPTYKI - 50 ml
3	PAPIERKI_500		PAPIERKI CZYSZCZĄCE 10x20 cm - 500 szt.
4	PAPIERKI_50		PAPIERKI CZYSZCZĄCE 10x15 cm - 50 szt.
5	WACIKI_100		WACIKI CZYSZCZĄCE - 100 szt.
6	PATYCZKI_20		PATYCZKI BAWELNIANE - 20 szt.
7	ACETON		ACETON - 250 ml
8	HA1015		OKULARY DO LASERA WZMOCNIONE
	HA2012		OKULARY DO LASERA UMOŻLIWIAJĄCE MONTAŻ WKŁADU KOREKCYJNEGO
	HA3018		OKULARY DO LASERA WENTYLOWANE OKULARY KOSZYKOWE