

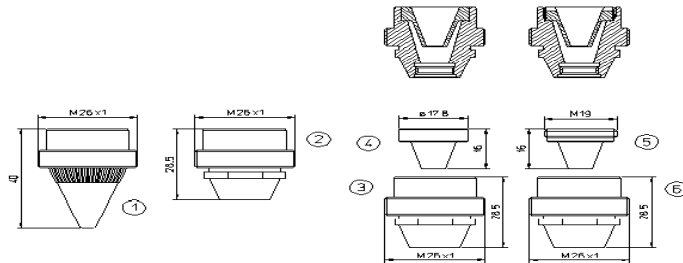
**AWM-SERWIS GUZOWSKI**

**KATALOG CZĘŚCI ZAMIENNYCH  
MAZAK®**

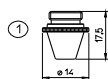


tel./fax (22) 716-37-40; 05-500 Piaseczno ul. Okulickiego 7/9  
[www.awm-serwis.pl](http://www.awm-serwis.pl) e-mail: [info@awm-serwis.pl](mailto:info@awm-serwis.pl)

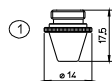




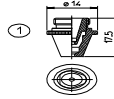
POZ.	NR AWM	NR MAZAK	OPIS
1	H61	46523300060	MAZAK NOZZLE - 1.0 mm
	H60	46523300062	MAZAK NOZZLE - 1.2 mm
	H84	46523300061	MAZAK NOZZLE - 1.5 mm
	H4	46523300061	MAZAK NOZZLE - 1.7 mm
	H331		MAZAK NOZZLE - 1.8 mm
	H51	46523300063	MAZAK NOZZLE - 2.0 mm
	H333	46523300063	MAZAK NOZZLE - 2.5 mm
	2	HA11	46603350510
3	HA44		MAZAK NOZZLE ADAPTER
4	HA45		MAZAK INNER NOZZLE
5	HA55		MAZAK INNER NOZZLE
6	HA54		MAZAK NOZZLE ADAPTER



POZ.	NR AWM	NR MAZAK	OPIS
1	H78	46603350508	MAZAK NOZZLE - 0.8 mm
	H69	46603350511	MAZAK NOZZLE - 1.0 mm
	H77	46603350512	MAZAK NOZZLE - 1.2 mm
	H127	4660335052B	MAZAK NOZZLE - 1.5 mm
	H79	46603350517	MAZAK NOZZLE - 1.7 mm
	H281	46603350517-1.8	MAZAK NOZZLE - 1.8 mm
	H80	4660335052C	MAZAK NOZZLE - 2.0 mm
	H282	46603350522-2.2	MAZAK NOZZLE - 2.2 mm
	H124	46603350525	MAZAK NOZZLE - 2.5 mm
	H150	46603350530	MAZAK NOZZLE - 3.0 mm
	H708	46603350530-3.5	MAZAK NOZZLE - 3.5 mm
	H709	46603350530-4.0	MAZAK NOZZLE - 4.0 mm
	H710	46603350530-4.5	MAZAK NOZZLE - 4.5 mm
	H711	46603350530-5.0	MAZAK NOZZLE - 5.0 mm



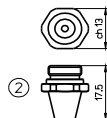
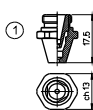
POZ.	NR AWM	NR MAZAK	OPIS
1	H78X	46603350508	MAZAK NOZZLE - 0.8 mm CP
	H69X	46603350511	MAZAK NOZZLE - 1.0 mm CP
	H77X	46603350512	MAZAK NOZZLE - 1.2 mm CP
	H127X	4660335052B	MAZAK NOZZLE - 1.5 mm CP
	H79X	46603350517	MAZAK NOZZLE - 1.7 mm CP
	H281X	46603350517-1.8	MAZAK NOZZLE - 1.8 mm CP
	H80X	4660335052C	MAZAK NOZZLE - 2.0 mm CP
	H282X	46603350522-2.2	MAZAK NOZZLE - 2.2 mm CP
	H124X	46603350525	MAZAK NOZZLE - 2.5 mm CP
	H150X	46603350530	MAZAK NOZZLE - 3.0 mm CP
	H708X	46603350530-3.5	MAZAK NOZZLE - 3.5 mm CP
	H709X	46603350530-4.0	MAZAK NOZZLE - 4.0 mm CP
	H710X	46603350530-4.5	MAZAK NOZZLE - 4.5 mm CP
	H711X	46603350530-5.0	MAZAK NOZZLE - 5.0 mm CP



POZ.	NR AWM	NR MAZAK	OPIS
1	H615		MAZAK NOZZLE - 1.0 mm W/I
	H616		MAZAK NOZZLE - 1.2 mm W/I
	H617		MAZAK NOZZLE - 1.5 mm W/I
	H618		MAZAK NOZZLE - 1.7 mm W/I
	H619		MAZAK NOZZLE - 1.8 mm W/I
	H620		MAZAK NOZZLE - 2.0 mm W/I
	H621		MAZAK NOZZLE - 2.2 mm W/I
	H622		MAZAK NOZZLE - 2.5 mm W/I
	H623		MAZAK NOZZLE - 3.0 mm W/I
	H615X		MAZAK NOZZLE - 1.0 mm CP W/I
	H616X		MAZAK NOZZLE - 1.2 mm CP W/I
	H617X		MAZAK NOZZLE - 1.5 mm CP W/I
	H618X		MAZAK NOZZLE - 1.7 mm CP W/I
	H619X		MAZAK NOZZLE - 1.8 mm CP W/I
	H620X		MAZAK NOZZLE - 2.0 mm CP W/I
	H621X		MAZAK NOZZLE - 2.2 mm CP W/I
	H622X		MAZAK NOZZLE - 2.5 mm CP W/I
	H623X		MAZAK NOZZLE - 3.0 mm CP W/I

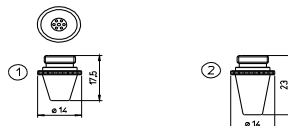


POZ.	NR AWM	NR MAZAK	OPIS	
1	H266	46603350521	MAZAK NOZZLE - 0.8 mm	
	H250	46603350521	MAZAK NOZZLE - 1.0 mm	
	H251	46603350521	MAZAK NOZZLE - 1.2 mm	
	H252	46603350520	MAZAK NOZZLE - 1.5 mm	
	H253	46603350521	MAZAK NOZZLE - 1.7 mm	
	H254	46603350522	MAZAK NOZZLE - 2.0 mm	
	H770	46603350522	MAZAK NOZZLE - 2.5 mm	
	H771	46683301281	MAZAK NOZZLE - 3.0 mm	
	H266X	46603350521	MAZAK NOZZLE - 0.8 mm CP	
	H250X	46603350521	MAZAK NOZZLE - 1.0 mm CP	
	H251X	46603350521	MAZAK NOZZLE - 1.2 mm CP	
	H252X	46603350520	MAZAK NOZZLE - 1.5 mm CP	
	H253X	46603350521	MAZAK NOZZLE - 1.7 mm CP	
	H254X	46603350522	MAZAK NOZZLE - 2.0 mm CP	
	H770X	46603350522	MAZAK NOZZLE - 2.5 mm CP	
	H771X	46683301281	MAZAK NOZZLE - 3.0 mm CP	
	2	H725	46603350508	MAZAK HEXAGONAL NOZZLE - 0.8 mm
		H726	46603350511	MAZAK HEXAGONAL NOZZLE - 1.0 mm
		H727	4660335052A	MAZAK HEXAGONAL NOZZLE - 1.2 mm
		H728	4660335052B	MAZAK HEXAGONAL NOZZLE - 1.5 mm
H729		46603350517	MAZAK HEXAGONAL NOZZLE - 1.7 mm	
H730		46603350517-1.8	MAZAK HEXAGONAL NOZZLE - 1.8 mm	
H731		4660335052C	MAZAK HEXAGONAL NOZZLE - 2.0 mm	
H732		46603350522-2.2	MAZAK HEXAGONAL NOZZLE - 2.2 mm	
H733		4660335052D	MAZAK HEXAGONAL NOZZLE - 2.5 mm	
H734		46603350530	MAZAK HEXAGONAL NOZZLE - 3.0 mm	
H735		46603350530-3.5	MAZAK HEXAGONAL NOZZLE - 3.5 mm	
H736		46603350530-4.0	MAZAK HEXAGONAL NOZZLE - 4.0 mm	
H737		46603350530-4.5	MAZAK HEXAGONAL NOZZLE - 4.5 mm	

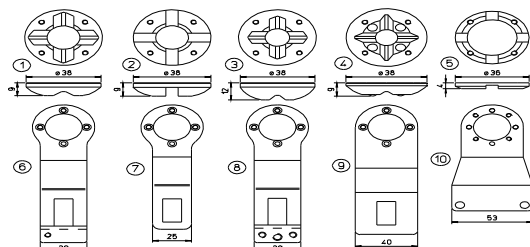


POZ.	NR AWM	NR MAZAK	OPIS	
1	H1223		MAZAK HEXAGONAL NOZZLE - 1.2 mm W/I	
	H1224		MAZAK HEXAGONAL NOZZLE - 1.5 mm W/I	
	H1225		MAZAK HEXAGONAL NOZZLE - 1.8 mm W/I	
	H1226		MAZAK HEXAGONAL NOZZLE - 2.0 mm W/I	
	H1227		MAZAK HEXAGONAL NOZZLE - 2.2 mm W/I	
	H1228		MAZAK HEXAGONAL NOZZLE - 2.5 mm W/I	
	H1229		MAZAK HEXAGONAL NOZZLE - 3.0 mm W/I	
	H1223X		MAZAK HEXAGONAL NOZZLE - 1.2 mm W/I CP	
	H1224X		MAZAK HEXAGONAL NOZZLE - 1.5 mm W/I CP	
	H1225X		MAZAK HEXAGONAL NOZZLE - 1.8 mm W/I CP	
	H1226X		MAZAK HEXAGONAL NOZZLE - 2.0 mm W/I CP	
	H1227X		MAZAK HEXAGONAL NOZZLE - 2.2 mm W/I CP	
	H1228X		MAZAK HEXAGONAL NOZZLE - 2.5 mm W/I CP	
	H1229X		MAZAK HEXAGONAL NOZZLE - 3.0 mm W/I CP	
	2	H725X	46603350508	MAZAK HEXAGONAL NOZZLE - 0.8 mm CP
		H726X	46603350511	MAZAK HEXAGONAL NOZZLE - 1.0 mm CP
		H727X	4660335052A	MAZAK HEXAGONAL NOZZLE - 1.2 mm CP
		H728X	4660335052B	MAZAK HEXAGONAL NOZZLE - 1.5 mm CP
		H729X	46603350517	MAZAK HEXAGONAL NOZZLE - 1.7 mm CP
H730X		46603350517-1.8	MAZAK HEXAGONAL NOZZLE - 1.8 mm CP	
H731X		4660335052C	MAZAK HEXAGONAL NOZZLE - 2.0 mm CP	
H732X		46603350522-2.2	MAZAK HEXAGONAL NOZZLE - 2.2 mm CP	
H734X		46603350530	MAZAK HEXAGONAL NOZZLE - 3.0 mm CP	
H735X		46603350530-3.5	MAZAK HEXAGONAL NOZZLE - 3.5 mm CP	
H736X		46603350530-4.0	MAZAK HEXAGONAL NOZZLE - 4.0 mm CP	
H737X	46603350530-4.5	MAZAK HEXAGONAL NOZZLE - 4.5 mm CP		

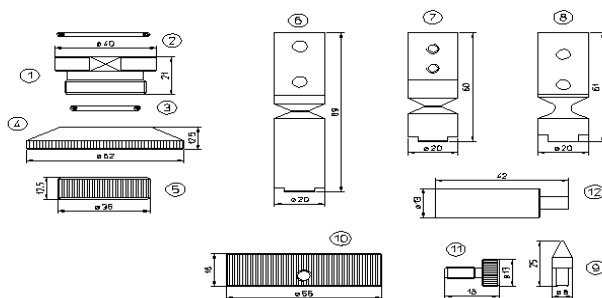




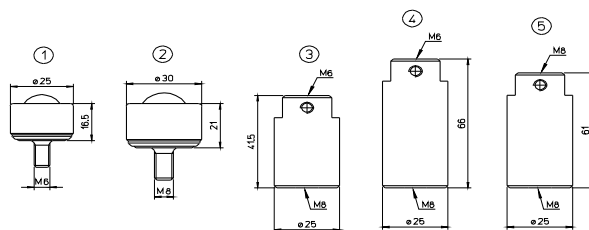
POZ.	NR AWM	NR MAZAK	OPIS
1	H492	46603350523	MAZAK NOZZLE - 1.0 mm SHOWER
	H493		MAZAK NOZZLE - 1.5 mm SHOWER
	H497		MAZAK NOZZLE - 2.0 mm SHOWER
2	H284		MAZAK LONG NOZZLE - 2.0 mm
	H285		MAZAK LONG NOZZLE - 2.5 mm
	H286		MAZAK LONG NOZZLE - 3.0 mm
	H373X		MAZAK LONG NOZZLE - 1.5 mm CP
	H284X		MAZAK LONG NOZZLE - 2.0 mm CP
	H285X		MAZAK LONG NOZZLE - 2.5 mm CP
	H286X		MAZAK LONG NOZZLE - 3.0 mm CP



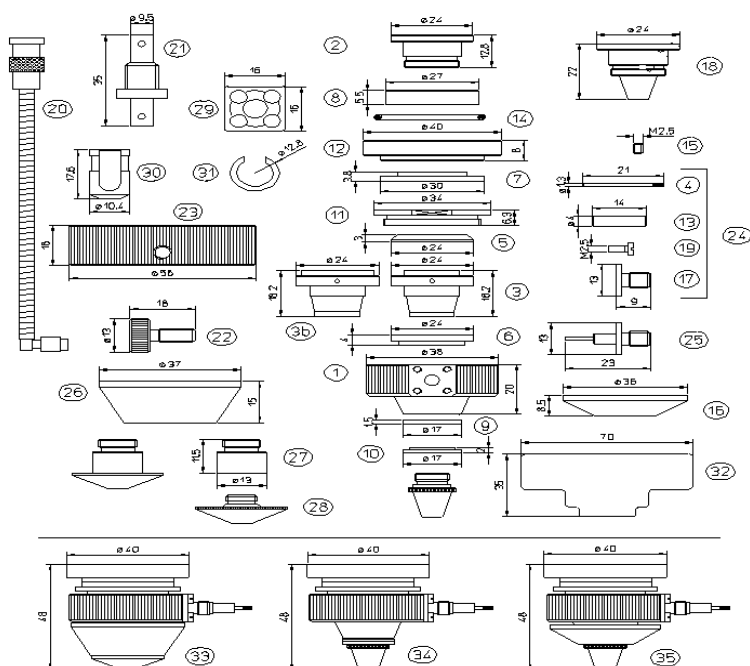
POZ.	NR AWM	NR MAZAK	OPIS
1	HA10	46602350080	MAZAK STYLUS FOOT H9 - BRASS
	HA145		MAZAK STYLUS FOOT H9 - BRASS CP
	HA15	46572301043	MAZAK STYLUS FOOT H9 - STEEL
	HA16	46572301045	MAZAK STYLUS FOOT H9 - TEFLON
	HA132		MAZAK STYLUS FOOT H9 - BRASS
2	HA146		MAZAK STYLUS FOOT H9 - BRASS CP
	HA133		MAZAK STYLUS FOOT H9 - STEEL
	HA17	46572301041	MAZAK STYLUS FOOT H12 - BRASS
3	HA147		MAZAK STYLUS FOOT H12 BRASS CP
	HA59	46572301042	MAZAK STYLUS FOOT H12 - STEEL
	HA18	46572301041	MAZAK STYLUS FOOT H12 - TEFLON
	HA39		MAZAK STYLUS FOOT H9-BRASS WITH SPHERE
5	HA117	46512300520	MAZAK STYLUS FOOT H4 - BRASS
6	HA64		MAZAK STYLUS ARM WITH SCREW M4
	HA66	36602300580	MAZAK STYLUS ARM WITH SCREW M6
7	HA60	36602300560-36682300050	MAZAK STEEL STYLUS ARM
8	HA167	36682300281	MAZAK STYLUS ARM - STEEL
9	HA168	36602350020	MAZAK STYLUS ARM - HIGHER VERSION
10	HA169	46522300250	MAZAK STYLUS ARM



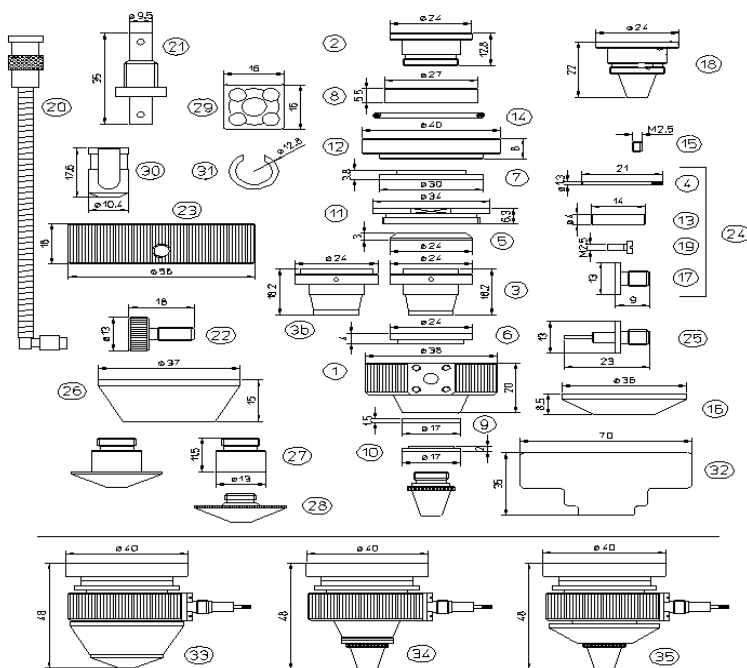
POZ.	NR AWM	NR MAZAK	OPIS
1	HA63	46523300080	MAZAK BASE
2	HA97	32600S03200	MAZAK O-RING EXTERNAL BASE - RUBBER
3	HA98	32600S02200	MAZAK O-RING INTERNAL BASE
4	HA57	46683300030	MAZAK RETAINER
5	HA13	46583301720	MAZAK RETAINER NUT
6	HA12	36602300230	MAZAK BREAK-AWAY BAR L89 - M8
7	HA14	36682300280	MAZAK ALUMINIUM BREAK-AWAY BAR L60 - M8
8	HA121	36572300101	MAZAK BREAK AWAY BAR L61 - M6
9	HA20	46600030013	MAZAK TABLE PIN - SPC
10	HA153	46683300930	MAZAK RING
11	HA152	46683300032	MAZAK MILD STEEL BOLT M5 X 0.5
12	HA186	46522300242	MAZAK STYLUS PIN



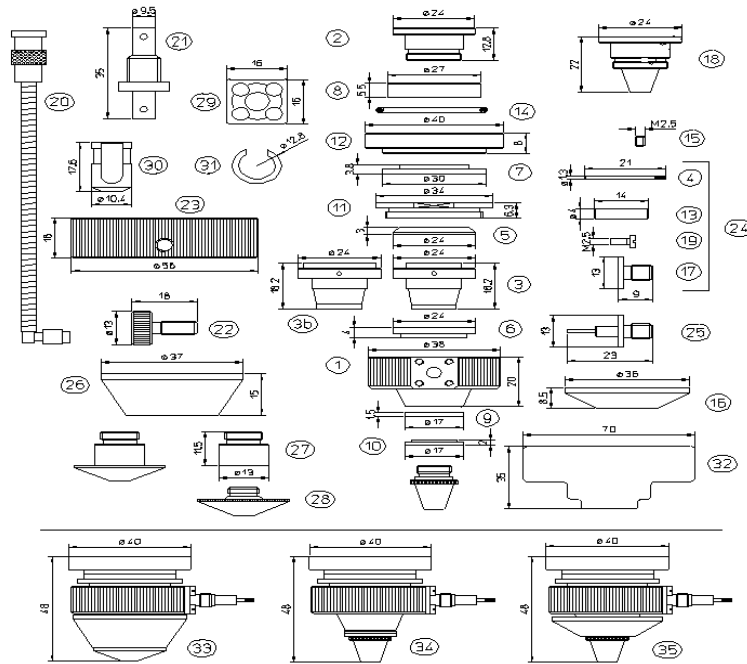
POZ.	NR AWM	NR MAZAK	OPIS
1	HA61	Z21KV000580	MAZAK FREE TABLE ROLLER
2	HA210	Z21ZZ001160	MAZAK BIG FREE BALL
3	HA62	46575100321	MAZAK BLOCK STAINLESS STEEL
4	HA134	46705100050	MAZAK LONG BLOCK STAINLESS STEEL
5	HA324		MAZAK BLOCK STAINLESS STEEL



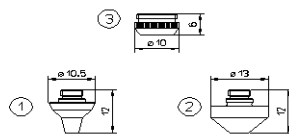
POZ.	NR AWM	NR MAZAK	OPIS
1	HA73	46683301140	MAZAK ALUMINIUM BODY
2	HA74	46683301110	MAZAK CENTRAL COPPER BODY
3	HA75	46683300850	MAZAK COPPER NOZZLE HOLDER
3b	HA253	46773300720	MAZAK COPPER NOZZLE HOLDER
4	HA76	46683301170	MAZAK CONTACT
5	HA77	46683301120	MAZAK TEFLON SPACER 24x3
	HA77/P	46683301120	MAZAK SPECIAL SPACER 24x3 - PLASTIC
	HA277	46683301120	MAZAK CERAMIC SPACER 24x3
6	HA78	46683301130	MAZAK TEFLON SPACER 24x4
	HA78/P	46683301130	MAZAK SPECIAL SPACER 24X4 - PLASTIC
	HA278	46683301130	MAZAK CERAMIC SPACER 24x4
7	HA79	46683301090	MAZAK TEFLON SPACER 30x4
	HA79/P	46683301090	MAZAK SPECIAL SPACER 30X4 - PLASTIC
	HA279	46683301090	MAZAK CERAMIC SPACER 30x4
8	HA80	46683301080	MAZAK TEFLON SPACER 27x5,5
	HA80/P	46683301080	MAZAK SPECIAL SPACER 27X5.5 - PLASTIC
	HA280	46683301080	MAZAK CERAMIC SPACER 27x5,5



POZ.	NR AWM	NR MAZAK	OPIS
9	HA81	46683301150	MAZAK TEFLON SPACER 17x1.5
10	HA82	46683301160	MAZAK COPPER RING 17x2
11	HA83	46683301100	MAZAK COPPER NUT
12	HA84	46683301070	MAZAK BRASS BASE
13	HA88	46683300030	MAZAK CONNECTING TEFLON PIPE
14	HA97	J2600S03200	MAZAK O-RING EXTERNAL BASE - RUBBER
15	HA119	46683301180	MAZAK SCREW FOR CONTACT
16	HA111	46683301930	MAZAK TEFLON PROTECTION
	HA111/P	46683301930	MAZAK SPECIAL PROTECTION - PLASTIC
	HA275	46683301930	MAZAK CERAMIC PROTECTION
17	HA113		MAZAK CONNECTOR
18	HA112		MAZAK CENTRAL COPPER BODY-ESSE A. PAT.
19	HA127	46683300000	MAZAK SCREW FOR CONNECTORS(4 PCS)
20	HA103	46683301980	MAZAK CONNECTING CABLE FOR SENSOR HEAD
	HA103/S	46683301330	MAZAK CONNECTING CABLE SENSOR HEAD+3CM
21	HA104		MAZAK CABLE ADAPTER
22	HA152	46683300032	MAZAK MILD STEEL BOLT M5 X 0.5

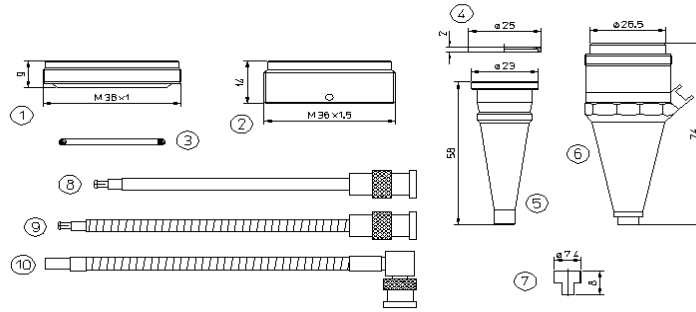


POZ.	NR AWM	NR MAZAK	OPIS
23	HA153	46683300930	MAZAK RING
	HA166		MAZAK RING KIT - AL153 + 4 PCS AL152
24	HA154	46683301170	MAZAK KIT CONNECTOR (AL76-88-127-113)
25	HA213		MAZAK CONNECTOR ASSEMBLY
26	HA118	46683301841	MAZAK TEFLON SPACER
27	HA128	46683301830	MAZAK ADAPTER FOR TRUMPF NOZZLE
28			MAZAK NOZZLE
29	HA157	46683301850	MAZAK CONNECTOR COVER - TEFLON
	HA157/P	46683301850	MAZAK CONNECTOR COVER LONG LIFE - PLASTIC
30	HA156	46683301860	MAZAK CABLE CONNECTOR COVER - TEFLON
	HA156/P	46683301860	MAZAK CABLE CONNECTOR COVER LONG LIFE PLASTIC
31	HA155	46683301870	MAZAK COVER CLIPS - TEFLON
32	HA165	46683301230	MAZAK PLATE
33	TMA10		MAZAK HEAD W/TEFLON SPACER
	TMA10/P		MAZAK HEAD W/LONG LIFE SPACER
	TMA10/C		MAZAK HEAD W/CERAMIC SPACER
34	TMA20		MAZAK HEAD W/TEFLON SPACER
	TMA20/P		MAZAK HEAD W/LONG LIFE SPACER
	TMA20/C		MAZAK HEAD W/CERAMIC SPACER
35	TMA30		MAZAK HEAD W/TEFLON SPACER
	TMA30/P		MAZAK HEAD W/LONG LIFE SPACER
	TMA30/C		MAZAK HEAD W/CERAMIC SPACER



POZ.	NR KAT.	NR PROD.	OPIS	
1	H554	46713300290-10	MAZAK NOZZLE 3D - 1.0 mm	
	H555	46713300290-12	MAZAK NOZZLE 3D - 1.2 mm	
	H556	46713300290-15-P0352-381-00015	MAZAK NOZZLE 3D - 1.5 mm	
	H557		MAZAK NOZZLE 3D - 1.8 mm	
	H558	46713300310-P0352-382-00020	MAZAK NOZZLE 3D - 2.0 mm	
	H560	46713300280-25	MAZAK NOZZLE 3D - 2.5 mm	
	H563	46713300280-30	MAZAK NOZZLE 3D - 3.0 mm	
	H564	46713300280-35	MAZAK NOZZLE 3D - 3.5 mm	
	2	H576		MAZAK NOZZLE - 1.0 mm 2D
		H577	46713300310	MAZAK NOZZLE - 1.2 mm 2D
H578		P0352-386-00015	MAZAK NOZZLE - 1.5 mm 2D	
H579			MAZAK NOZZLE - 1.8 mm 2D	
H580		46713300300-P0352-387-00020	MAZAK NOZZLE - 2.0 mm 2D	
H581		46713300300-25	MAZAK NOZZLE - 2.5 mm 2D	
H582		46713300300-30	MAZAK NOZZLE - 3.0 mm 2D	
3		HA160	46713300321-P0352-311-00001	MAZAK VESPEL NUT - SPACE GEAR

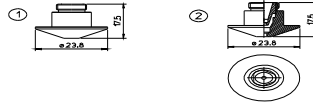




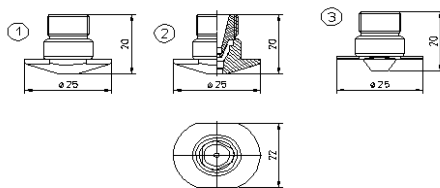
POZ.	NR AWM	NR MAZAK	OPIS
1	HA198	P0492-702-00001-29100021	PRECITEC INSULATING RING - PLASTIC
2	HA218	46713330200	MAZAK 5-AXIS INSULATOR
3	HA94	71366453	AMADA O'RING FOR NOZZLE OUTER
4	HA350		MAZAK WASHER FOR CONE
5	HA349		MAZAK INNER SENSOR CONE
6	HA211	P0354-110-00002/00001 P0354-130-00001	MAZAK ORIG. NOZZLE BODY SE M1,5" HN Z - WATER COOLED
7	HA256		PRECITEC INSULATOR COLLAR
8	HA204	P0360-100-00500 - 46713300100	PRECITEC ORIG. SENSOR CABLE KE 500 Z
9	HA257	281386 P0360-155-00500	MAZAK ELECTRODE CABLE
10	HA358	46743300181	MAZAK CONNECTING CABLE FOR SENSOR HEAD



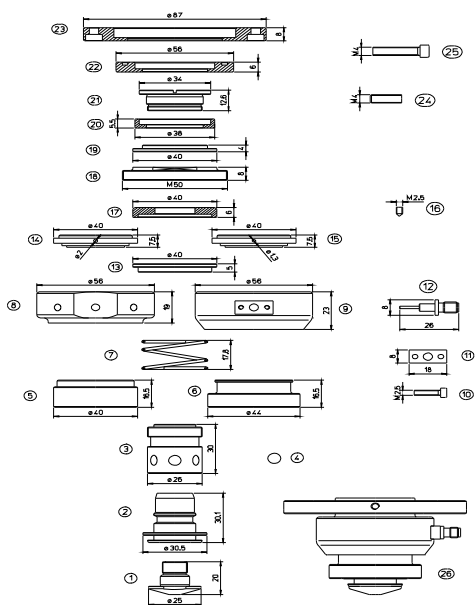
POZ.	NR AWM	NR MAZAK	OPIS
1	H480	281005 - P0352-323-00010	MAZAK NOZZLE - 1.0 mm
	H481	281034 - P0352-324-00012	MAZAK NOZZLE - 1.2 mm
	H482	281013 - P0352-325-00015	MAZAK NOZZLE - 1.5 mm
	H483	280899 - P0352-326-00018	MAZAK NOZZLE - 1.8 mm
	H484	350044.3 - P0352-327-00020	MAZAK NOZZLE - 2.0 mm
	H485	P0352-328-00025	MAZAK NOZZLE - 2.5 mm
2	H486	281006 - P0352-333-00010	MAZAK NOZZLE - 1.0 mm
	H487	281030 - P0352-334-00012	MAZAK NOZZLE - 1.2 mm
	H488	281031 - P0352-335-00015	MAZAK NOZZLE - 1.5 mm
	H489	280898 - P0352-336-00018	MAZAK NOZZLE - 1.8 mm
	H490	P0352-336-00020	MAZAK NOZZLE - 2.0 mm



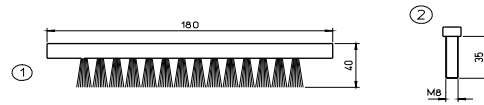
POZ.	NR AWM	NR MAZAK	OPIS
1			
H428			MAZAK NOZZLE - 1.0 mm
H423			MAZAK NOZZLE - 1.2 mm
H429	46683301950		MAZAK NOZZLE - 1.5 mm
H430	46683301821		MAZAK NOZZLE - 2.0 mm
H471			MAZAK NOZZLE - 2.2 mm
H431	46683301960		MAZAK NOZZLE - 2.5 mm
H432	46683301970		MAZAK NOZZLE - 3.0 mm
H472			MAZAK NOZZLE - 3.5 mm
H473			MAZAK NOZZLE - 4.0 mm
H474			MAZAK NOZZLE - 4.5 mm
H428X			MAZAK NOZZLE - 1.0 mm CP
H423X			MAZAK NOZZLE - 1.2 mm CP
H429X	46683301950		MAZAK NOZZLE - 1.5 mm CP
H430X	46683301821		MAZAK NOZZLE - 2.0 mm CP
H471X			MAZAK NOZZLE - 2.2 mm CP
H431X	46683301960		MAZAK NOZZLE - 2.5 mm CP
H432X	46683301970		MAZAK NOZZLE - 3.0 mm CP
H472X			MAZAK NOZZLE - 3.5 mm CP
H473X			MAZAK NOZZLE - 4.0 mm CP
H474X			MAZAK NOZZLE - 4.5 mm CP
2			
H850			MAZAK DOUBLE NOZZLE - 1.0 mm
H851			MAZAK DOUBLE NOZZLE - 1.2 mm
H852			MAZAK DOUBLE NOZZLE - 1.5 mm
H858			MAZAK DOUBLE NOZZLE - 1.8 mm
H853			MAZAK DOUBLE NOZZLE - 2.0 mm
H849			MAZAK DOUBLE NOZZLE - 2.2 mm
H854			MAZAK DOUBLE NOZZLE - 2.5 mm
H855			MAZAK DOUBLE NOZZLE - 3.0 mm
H856			MAZAK DOUBLE NOZZLE - 3.5 mm
H850X			MAZAK DOUBLE NOZZLE - 1.0 mm CP
H851X			MAZAK DOUBLE NOZZLE - 1.2 mm CP
H852X			MAZAK DOUBLE NOZZLE - 1.5 mm CP
H858X			MAZAK DOUBLE NOZZLE - 1.8 mm CP
H853X			MAZAK DOUBLE NOZZLE - 2.0 mm CP
H849X			MAZAK DOUBLE NOZZLE - 2.2 mm CP
H854X			MAZAK DOUBLE NOZZLE - 2.5 m CP
H855X			MAZAK DOUBLE NOZZLE - 3.0 mm CP
H856X			MAZAK DOUBLE NOZZLE - 3.5 mm CP



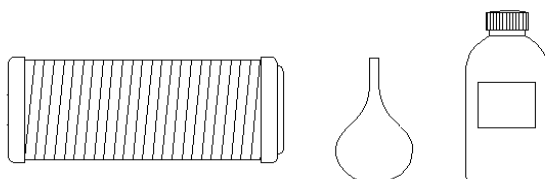
POZ.	NR KAT.	NR PROD.	OPIS
1	H949X		MAZAK NOZZLE - 0.8 mm CP
	H941X		MAZAK NOZZLE - 1.0 mm CP
	H942X	46143304470	MAZAK NOZZLE - 1.2 mm CP
	H943X	46143304450	MAZAK NOZZLE - 1.5 mm CP
	H944X	46143304460	MAZAK NOZZLE - 2.0 mm CP
	H945X	46143304480	MAZAK NOZZLE - 2.5 mm CP
	H946X	46143304490	MAZAK NOZZLE - 3.0 mm CP
	H947X	46143304500	MAZAK NOZZLE - 3.5 mm CP
	H948X	46143304510	MAZAK NOZZLE - 4.0 mm CP
	2	H952X	
H953X			MAZAK DOUBLE NOZZLE - 1.5 mm CP
H954X			MAZAK DOUBLE NOZZLE - 2.0 mm CP
H955X			MAZAK DOUBLE NOZZLE - 2.5 mm CP
H956X			MAZAK DOUBLE NOZZLE - 3.0 mm CP
H957X			MAZAK DOUBLE NOZZLE - 3.5 mm CP
H958X			MAZAK DOUBLE NOZZLE - 4.0 mm CP
3		H1264	
	H1265		MAZAK NOZZLE - 1.2 mm SPECIAL
	H1266		MAZAK NOZZLE - 1.5 mm SPECIAL
	H1267		MAZAK NOZZLE - 2.0 mm SPECIAL
	H1268		MAZAK NOZZLE - 3.0 mm SPECIAL



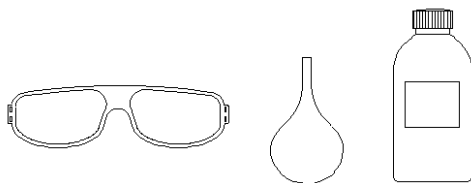
POZ.	NR AWM	NR MAZAK	OPIS
1			MAZAK NOZZLE
2	HA242	36143304420	MAZAK H.G. NOZZLE HOLDER
3	HA291	36143304400	MAZAK H.G. COUPLER
4	HA311	46143300230	MAZAK H.G. KIT BALL - 6 PCS
5	HA292	46143304430	MAZAK H.G. SPRING RETAINER
6	HA314	46143308000	MAZAK H.G. RETAINER SPRING STEEL
7	HA289	46143300220	MAZAK H.G. SPRING
8	HA293	36143303242	MAZAK H.G. BODY
9	HA313	36143307980	MAZAK H.G. ALUMINUM BODY
10	HA317	46603300030	MAZAK H.G. SCREW FOR CONNECTOR - 2 PCS
11	HA318	46143308170	MAZAK H.G. SPACER FOR CONNECTOR ALUMINUM
12	HA315	46143308190	MAZAK H.G. CONNECTOR
13	HA284	46143300240	MAZAK H.G. CERAMIC INSULATOR 40 x 5
	HA384	46143300240	MAZAK H.G. TEFLON INSULATOR 40 x 5
14	HA287	46143304250	MAZAK H.G. RETAINER NUT W/AMPLIF. HOLE 2.0
15	HA295	46143307420	MAZAK H.G. RETAINER NUT W/AMPLIF. HOLE 1.3
16	HA322	46683301180	MAZAK H.G. SCREW
17	HA290	46143304440	MAZAK H.G. INSULATOR CERAMIC 40 x 6
	HA390	46143304440	MAZAK H.G. TEFLON INSULATOR 40 x 6
18	HA294	46143300290	MAZAK H.G. RETAINER NUT
19	HA285	46143300260	MAZAK H.G. CERAMIC INSULATOR 40 x 4
	HA385	46143300260	MAZAK H.G. TEFLON INSULATOR 40 x 4
20	HA286	46143300270	MAZAK H.G. TEFLON INSULATOR 40 x 4
	HA386	46143300270	MAZAK H.G. TEFLON INSULATOR 38 x 5,5
21	HA288	46143300280	MAZAK H.G. RETAINER NUT W/CONE
22	HA316	46143300320	MAZAK H.G. RING BRASS
23	HA320	36143300332	MAZAK H.G. RING ALUMINUM
24	HA321		MAZAK H.G. SCREW FOR HEAD CENTERING - 4 PCS
25	HA319	A06CB040200	MAZAK H.G. SET SCREWS FOR HEAD - 4 PCS
26	ITMA50/C		MAZAK H.G. HEAD W/CERAMIC SPACER



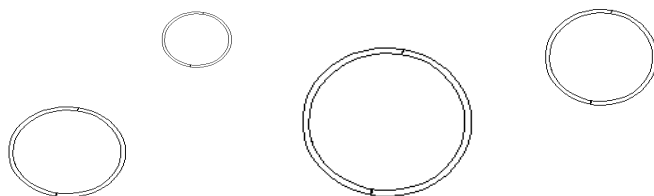
POZ.	NR AWM	NR MAZAK	OPIS
1	HA301		MAZAK BRUSH 180X30X20 WITH SCREWS
2	333884	333884	MAZAK PLASTIC SCREWS - 2 szt.
		56743300500	MAZAK SENSOR REPAIR HNZ
		567123323A1	MAZAK REPAIR HNPZ



POZ.	NR AWM	NR MAZAK	OPIS
1	SV16/25	71232023	MAZAK FILTR DO POMPY PRÓŻNIOWEJ
2	AMF-EL150		MAZAK FILTR WKŁADU POWIETRZA
3	AMH-EL150		MAZAK FILTR WKŁADU POWIETRZA
4	AME-EL150		MAZAKFILTR WKŁADU POWIETRZA
5	AMD-EL150	Z50MB008610	MAZAK FILTR WKŁADU POWIETRZA
6	AMH-EL350	G48SV00323A	MAZAK FILTR WKŁADU POWIETRZA
7	AME-EL350	G48SV001420	MAZAK FILTR WKŁADU POWIETRZA
8	AMF-EL350	G48SV00325A	MAZAK FILTR WKŁADU POWIETRZA
9	AMD-EL250-X231	G48SV00151A	MAZAK FILTR WKŁADU POWIETRZA
10	AFF-EL4B	G48SV002660	MAZAK FILTR WKŁADU POWIETRZA
11	SFB101-02	ED301SX100	MAZAK FILTR WKŁADU POWIETRZA
11			MAZAK OLEJ DO POMPY PRÓŻNIOWEJ VACUUM – 1L
12			MAZAK OLEJ DO TURBINY – 1 L
13			MAZAK OLEJ DO CENTRALNEGO SMAROWANIA OSI X – 1 L
14			MAZAK OLEJ DO SMAROWANIA ŁAŃCUCHA NAPĘDZAJĄCEGO RUSZT – 1 L
15			MAZAK OLEJ DO NAWILŻANIA POWIERZCHNI GRUBYCH BLACH – 1 L
16			MAZAK SMAR DO SMAROWANIA MECHANIZMÓW POSUWU OSI Y I Z – 1 L
17	ZYWICA		ZYWICA DEJONIZACYJNA – 5 kg



POZ.	NR AWM	NR MAZAK	OPIS
1	MLECZKO 250		MLECZKO DO POLEROWANIA OPTYKI - 250 ml
2	MLECZKO 50		MLECZKO DO POLEROWANIA OPTYKI - 50 ml
3	PAPIERKI 500		PAPIERKI CZYSZCZĄCE 10x20 cm - 500 szt.
4	PAPIERKI 50		PAPIERKI CZYSZCZĄCE 10x15 cm - 50 szt.
5	WACIKI 100		WACIKI CZYSZCZĄCE - 100 szt.
6	PATYCZKI 20		PATYCZKI BAWELNIANE - 20 szt.
7	ACETON		ACETON - 250 ml
8	HA1015		OKULARY DO LASERA WZMOCNIONE
	HA2012		OKULARY DO LASERA UMOŻLIWIAJĄCE MONTAŻ WKŁADU KOREKCYJNEGO
	HA3018		OKULARY DO LASERA WENTYLOWANE OKULARY KOSZYKOWE



POZ.	NR AWM	NR MAZAK	OPIS
1			DIAM: 38,1 (1,5") mm, FL: 95,3 (3,75") mm ET: 7,4 mm WKŁĘSŁO-WYPUKŁA
2			DIAM: 38,1 (1,5") mm, FL: 127,0 (5,0") mm ET: 7,4 mm WKŁĘSŁO-WYPUKŁA
3			DIAM: 38,1 (1,5") mm, FL: 190,5 (7,5") mm ET: 7,4 mm WKŁĘSŁO-WYPUKŁA
4			DIAM: 50,8 (2,0") mm, FL: 127,0 (5,0") mm ET: 9,7 mm WKŁĘSŁO-WYPUKŁA
5			DIAM: 50,8 (2,0") mm, FL: 190,5 (7,5") mm ET: 9,7 mm WKŁĘSŁO-WYPUKŁA
6			DIAM: 50,8 (2,0") mm, FL: 127,0 (5,0") mm ET: 9,7 mm PŁASKO-WYPUKŁA
7			DIAM: 50,8 (2,0") mm, FL: 190,5 (7,5") mm ET: 9,7 mm PŁASKO-WYPUKŁA