

AWM-SERWIS GUZOWSKI

**SPARE PARTS FOR
AMADA®**



tel./fax (22) 716-37-40; 05-500 Piaseczno ul. Okulickiego 7/9

www.awm-serwis.pl / info@awm-serwis.pl

LENSES FOR CO2 LASER

Pos.	Part name	Original code	Description
1	Standard lens 3,75"		Diam. 38,1 mm (1,5") F.L. 95,25 mm (3,75") Thick. 7,4 mm Meniscus
2	Standard lens 5,0"		Diam. 38,1 mm (1,5") F.L. 127,0 mm (5,0") Thick. 7,4 mm Meniscus
3	Standard lens 7,5"		Diam. 38,1 mm (1,5") F.L. 190,5 mm (7,5") Thick. 7,4 mm Meniscus
4	Standard lens 5,0"		Diam. 50,8 mm (2,0") F.L. 127,0 mm (5,0") Thick. 9,65 mm Meniscus
5	Standard lens 7,5"		Diam. 50,8 mm (2,0") F.L. 190,5 mm (7,5") Thick. 9,65 mm Meniscus
6	Standards lens Plano-convex 5,0"		Diam. 50,8 mm (2,0") F.L. 127 mm (5,0") Thick. 9,65 mm Plano-convex
7	Standards lens Plano-convex 7,5"		Diam. 50,8 mm (2,0") F.L. 190,5 mm (7,5") Thick. 9,65 mm Plano-convex

LENSES FOR FIBER LASER

Pos.	Part name	Original code	Description
1	Fiber lens 5,91"		Diam. 50,8 mm (2,0") F.L. 150,0 mm (5,91") Plano-convex
2	Fiber lens 7,48"		Diam. 50,8 mm (2,0") F.L. 190,0 mm (7,48") Plano-convex

For more information about the products listed in the catalog, please contact us.

Information about the price and availability is provided in response to inquiries.

The original codes are placed only in order to make easier the correct specification of the parts.



DEBRIS SHIELD

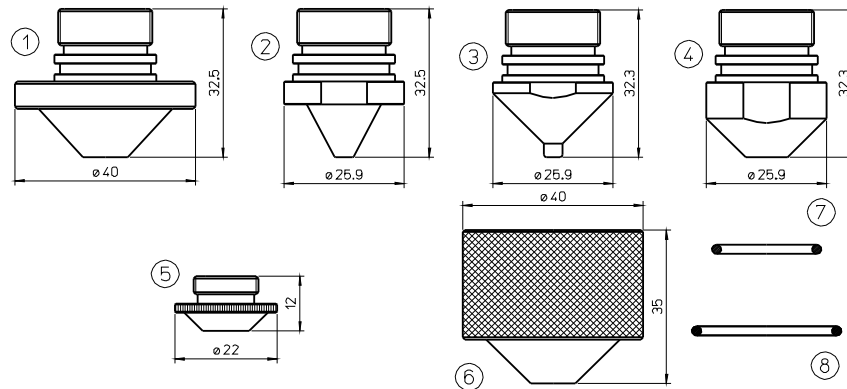
Pos.	Part name	Original code	Description
1	Debris shield octagonal	71570026	Diam. 33 mm Thick. 1,65 mm

MIRRORS

Pos.	Part name	Original code	Description
1	Folding mirror	A98L-0001-0615/B	Folding mirror
2	Si-reflector	A98L-0001-0616/C	Si-reflector
3	Si-mirror	A98L-0001-0617/C	Si-mirror
4	Rear mirror	A98L-0001-0750	Rear mirror
5	ZnSe-mirror	A98L-0001-0981	ZnSe-mirror
6	Si-mirror	71401223 / 7973018 / 614835	Si-mirror
7	Convex mirror	3B 7972968	Convex mirror
8	Concave mirror	3B 7972967	Concave mirror

For more information about the products listed in the catalog, please contact us.
Information about the price and availability is provided in response to inquiries.
The original codes are placed only in order to make easier the correct specification of the parts.

NOZZLES & ACCESSORIES

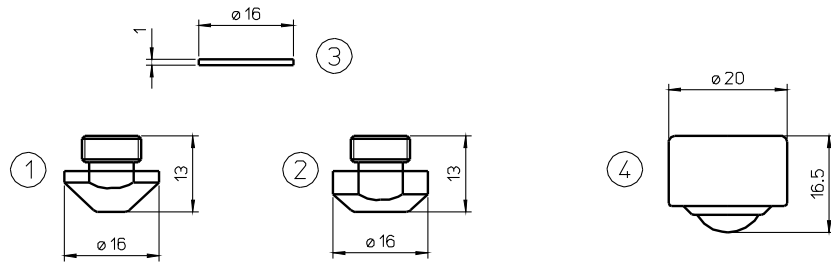


Pos.	Part name	Original code	Description
1	H896X	71101000	NOZZLE CLEAN CUT - 1.5 mm
	H897X	71102000	NOZZLE CLEAN CUT - 1.75 mm
	H898X	71101999	NOZZLE CLEAN CUT - 2.0 mm
	H899X	71101999	NOZZLE CLEAN CUT - 2.5 mm
2	H81X	6506892	NOZZLE - 1.3 mm CP
	H92X	6506892	NOZZLE - 1.5 mm CP
	H93X	6506892	NOZZLE - 1.8 mm CP
	H39X	74712001 - 6506892	NOZZLE - 2.0 mm CP
3	H63X	71101901	NOZZLE - 1.3 mm CP
	H91X	71101902	NOZZLE - 1.5 mm CP
	H75X	71101901	NOZZLE - 1.8 mm CP
	H29X	71101901 - 845735	NOZZLE - 2.0 mm CP
	H809X		NOZZLE - 2.5 mm CP
	H808X	71101901	NOZZLE - 3.0 mm CP
4	H297X		NOZZLE - 1.3 mm CP
	H298X	62094001 - 71102001	NOZZLE - 1.5 mm CP
	H299X	62094001 - 71102001	NOZZLE - 1.8 mm CP
	H300X	62094001 - 71102001	NOZZLE - 2.0 mm CP
	H301X	62094002 - 71102005	NOZZLE - 3.0 mm CP

5	H85X		NOZZLE - 1.0 mm CP
	H94X		NOZZLE- 1.25 mm CP
	H95X		NOZZLE - 1.5 mm CP
	H96X		NOZZLE - 1.75 mm CP
	H38X	74718816-8249301	NOZZLE - 2.0 mm CP
	6	H30X	71101905-841143B
7	HA90	S-20	O-RING FOR NOZZLE S-20
8	HA96	1AS-34	O-RING FOR NOZZLE OUTER

For more information about the products listed in the catalog, please contact us.
Information about the price and availability is provided in response to inquiries.
The original codes are placed only in order to make easier the correct specification of the parts.

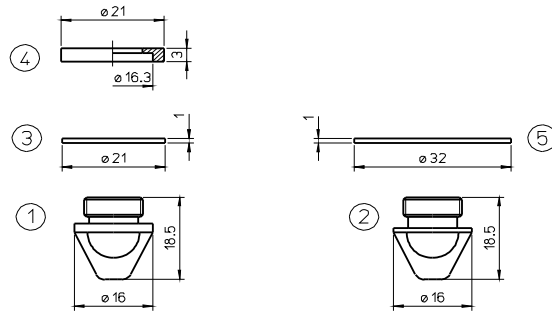
NOZZLES & ACCESSORIES



Pos.	Part name	Original code	Description
1	H171X	62094006	NOZZLE - 1.0 mm CP
	H172X	62094006	NOZZLE - 1.25 mm CP
	H173X	62094006 - 1507610	NOZZLE - 1.5 mm CP
	H174X	62094006	NOZZLE - 1.75 mm CP
	H27X	62094006 - 1507611	NOZZLE - 2.0 mm CP
	H175X	62094006	NOZZLE - 2.5 mm CP
	H28X	62094008 - 71102007	NOZZLE - 3.0 mm CP
	2	H750X	62094005
H751X		62094005	NOZZLE - 1.25 mm CP
H752X		62094005 - 71341515	NOZZLE - 1.5 mm CP
H753X		62094005 - 71341515-1.75	NOZZLE - 1.75 mm CP
H754X		62094005 - 71102006	NOZZLE - 2.0 mm CP
H755X		62094005	NOZZLE - 2.5 mm CP
H756X		62094005 - 71341515-3.0	NOZZLE - 3.0 mm CP
3		HA107	62094006
4	HA31		WORK HOLDER - 20 mm

For more information about the products listed in the catalog, please contact us.
 Information about the price and availability is provided in response to inquiries.
 The original codes are placed only in order to make easier the correct specification of the parts.

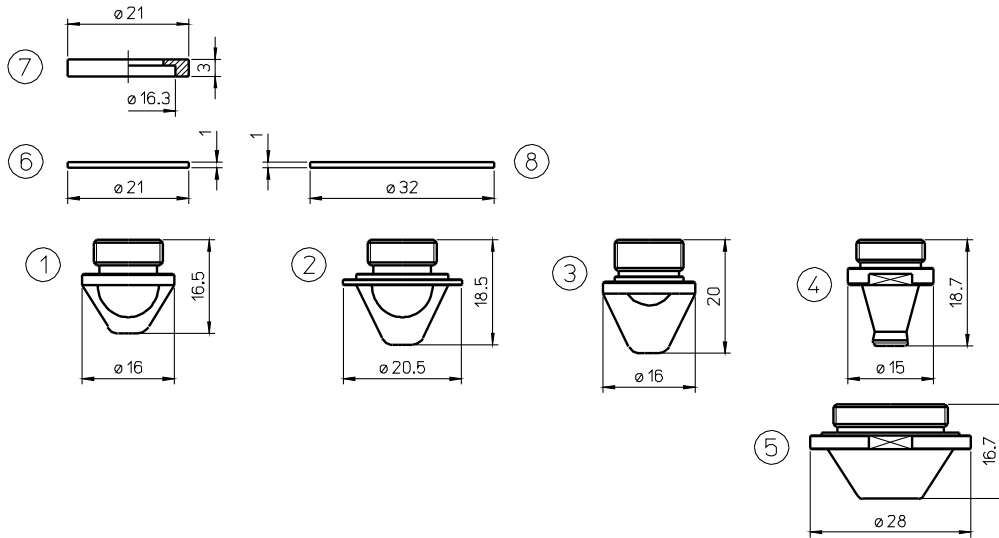
NOZZLES & ACCESSORIES



Pos.	Part name	Original code	Description	
1	H760X		NOZZLE - 0.8 mm CP	
	H134X	1664545U	NOZZLE - 1.0 mm CP	
	H135X	1664545U	NOZZLE - 1.25 mm CP	
	H86X	1664545U	NOZZLE - 1.5 mm CP	
	H136X	1664545U	NOZZLE - 1.75 mm CP	
	H137X	1664545U - 71341610	NOZZLE - 2.0 mm CP	
	H203X	1664545U	NOZZLE - 2.5 mm CP	
	H138X	1664545U - 71360142	NOZZLE - 3.0 mm CP	
	H339X		NOZZLE - 4.0 mm CP	
	H763X		NOZZLE - 5.0 mm CP	
	2	H192X		NOZZLE - 1.0 mm CP
		H193X		NOZZLE - 1.25 mm CP
H194X			NOZZLE - 1.5 mm CP	
H195X			NOZZLE - 1.75 mm CP	
H196X			NOZZLE - 2.0 mm CP	
H197X			NOZZLE - 2.5 mm CP	
H198X			NOZZLE - 3.0 mm CP	
3		HA1005	71341614	DISC HEAD PROTECTION - 21 mm PLASTIC
	HA122	71341614	DISC HEAD PROTECTION - 21 mm VESPEL	
4	HA123		DISC HEAD PROTECTION - 21 mm CERAMIC	
5	HA42		DISK HEAD PROTECTION - 32 mm PLASTIC	

For more information about the products listed in the catalog, please contact us.
 Information about the price and availability is provided in response to inquiries.
 The original codes are placed only in order to make easier the correct specification of the parts.

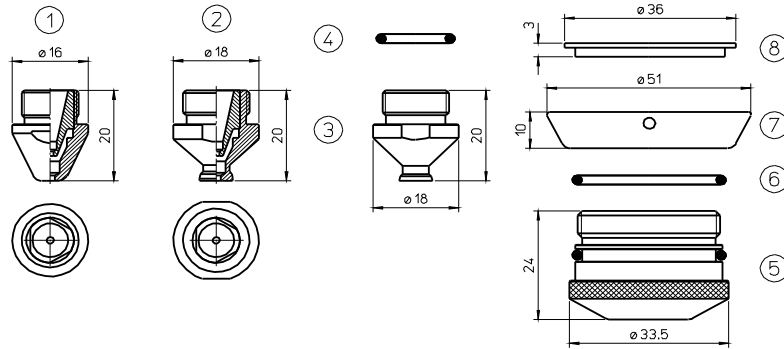
NOZZLES & ACCESSORIES



Pos.	Part name	Original code	Description
1	H338X		NOZZLE - 3.0 mm CP - SHORT
2	H1066X		NOZZLE - 2.0 mm LARGE FLANGE
	H1068X		NOZZLE - 3.0 mm LARGE FLANGE
3	H1285X	71341770 - 1667110	NOZZLE - 2.0 mm
	H1287X		NOZZLE - 3.0 mm
4	H926X		NOZZLE HP-X - 0.8 mm CP
	H927X		NOZZLE HP-X - 1.0 mm CP
	H928X		NOZZLE HP-X - 1.2 mm CP
	H933X	71398902 - 1034-00-5-1	NOZZLE HP-X - 1.4 mm CP
	H929X		NOZZLE HP-X - 1.5 mm CP
	H930X		NOZZLE HP-X - 2.0 mm CP
	H931X		NOZZLE HP-X - 2.5 mm CP
	H932X		NOZZLE HP-X - 3.0 mm CP
5	HA220X		NOZZLE OUTER HP-X CP
6	HA1005	71341614	DISC HEAD PROTECTION - 21 mm PLASTIC
	HA122	71341614	DISC HEAD PROTECTION - 21 mm VESPEL
7	HA123		DISC HEAD PROTECTION - 21 mm CERAMIC
8	HA42		DISK HEAD PROTECTION - 32 mm PLASTIC

For more information about the products listed in the catalog, please contact us.
 Information about the price and availability is provided in response to inquiries.
 The original codes are placed only in order to make easier the correct specification of the parts.

NOZZLES & ACCESSORIES

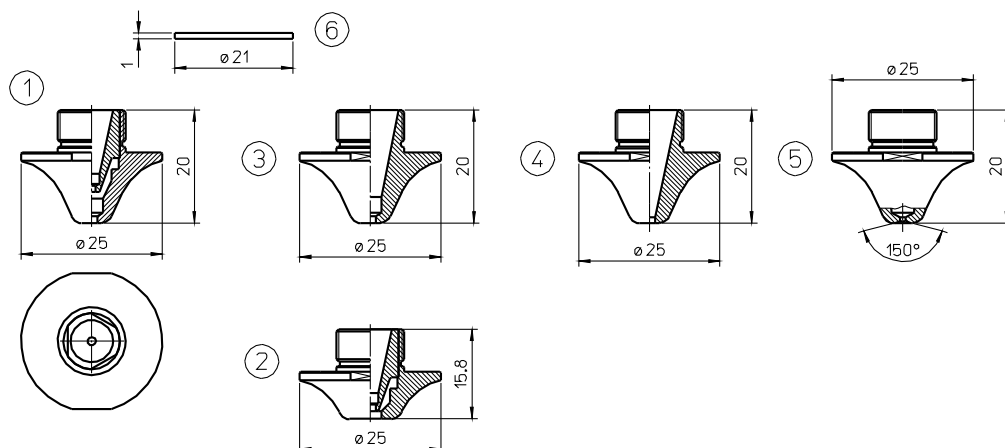


Pos.	Part name	Original code	Description
1	H390X	1669864 - 7134162	DOUBLE NOZZLE - 1.0 mm CP
	H392X	1669864 - 7134162	DOUBLE NOZZLE - 1.2 mm CP
	H393X	1669864 - 7134162	DOUBLE NOZZLE - 1.4 mm CP
	H391X	1669864 - 7134162	DOUBLE NOZZLE - 1.5 mm CP
	H780X	1669864 - 7134162	DOUBLE NOZZLE - 1.8 mm CP
	H315X	1669864 - 7134162	DOUBLE NOZZLE - 2.0 mm CP
	H316X	1669864 - 7134162	DOUBLE NOZZLE - 2.5 mm CP
	H317X	1669864 - 7134163	DOUBLE NOZZLE - 3.0 mm CP
	H768X	1669864 - 7134162	DOUBLE NOZZLE - 3.5 mm CP
	H319X	1669864 - 7134162	DOUBLE NOZZLE - 3.8 mm CP
	H318X	1669795 - 71341681	DOUBLE NOZZLE - 4.0 mm CP
WATER COOLED			
2	H387X	6551218 - 71341682	DOUBLE NOZZLE - 1.0 mm CP
	H386X	6551218 - 71341682	DOUBLE NOZZLE - 1.2 mm CP
	H389X	6551218 - 71341682	DOUBLE NOZZLE - 1.4 mm CP
	H388X	6551218 - 71341682	DOUBLE NOZZLE - 1.5 mm CP
	H764X	6551218 - 71341682	DOUBLE NOZZLE - 1.7 mm CP
	H320X	6551218 - 71341682	DOUBLE NOZZLE - 2.0 mm CP
	H321X	6551218 - 71341680	DOUBLE NOZZLE - 2.5 mm CP
	H322X	6551218 - 71341682	DOUBLE NOZZLE - 3.0 mm CP
	H323X	6551218 - 71341682	DOUBLE NOZZLE - 3.8 mm CP
	H330X	6551218 - 71341682	DOUBLE NOZZLE - 4.0 mm CP
	H781X	6551218 - 71341682	DOUBLE NOZZLE - 5.0 mm CP

3	H384X	71366090	NOZZLE - 1.0 mm CP
	H765X	71366090	NOZZLE - 1.2 mm CP
	H766X	71366090	NOZZLE - 1.4 mm CP
	H385X	71366090	NOZZLE - 1.5 mm CP
	H324X	71366090	NOZZLE - 2.0 mm CP
	H325X	71366090	NOZZLE - 2.5 mm CP
	H326X	71366090	NOZZLE - 3.0 mm CP
	H327X	71366090	NOZZLE - 3.8 mm CP
	H767X	71366090	NOZZLE - 4.0 mm CP
	4	HA93	S-14
5	HA115X	71366452 - 71341684 - 6551148A	NOZZLE OUTER CP
6	HA94	71366453	O-RING FOR NOZZLE OUTER
7	HA180	71366438	GUARD NUT
8	HA181	71366437	GUARD RING

For more information about the products listed in the catalog, please contact us.
Information about the price and availability is provided in response to inquiries.
The original codes are placed only in order to make easier the correct specification of the parts.

NOZZLES & ACCESSORIES

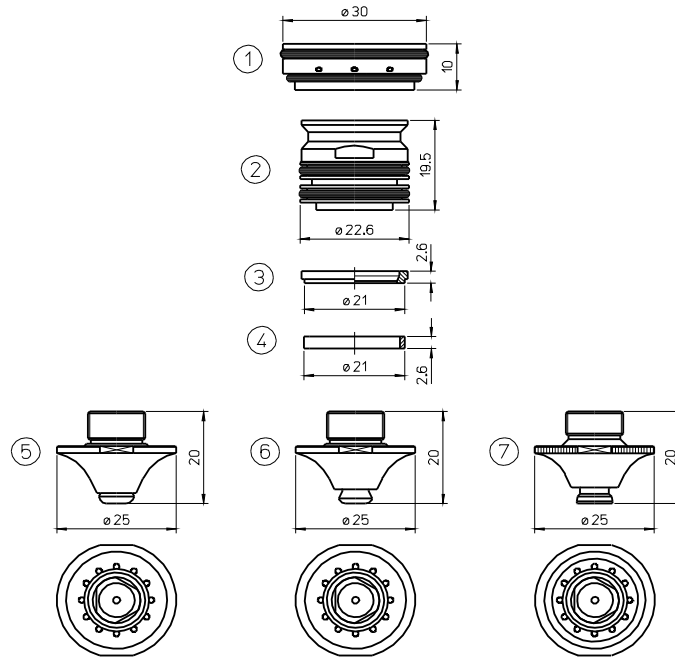


Pos.	Part name	Original code	Description
1	H585X	1572361	DOUBLE NOZZLE - 1.2 mm CP
	H586X	71369813 - 71502038 - 71518550 - 71341779	DOUBLE NOZZLE - 1.4 mm CP
	H574X	1572361 - 71518548 - 1572380	DOUBLE NOZZLE - 1.7 mm CP
	H587X	1572361	DOUBLE NOZZLE - 2.0 mm CP
	H584X	71501059 - 71515394 - 71516789 - 1576398	DOUBLE NOZZLE - 2.5 mm CP
	H588X	1572361	DOUBLE NOZZLE - 3.0 mm CP
	H589X	71501060 - 71515395 - 71516790 - 1576399	DOUBLE NOZZLE - 4.0 mm CP
	H583X	1572361	DOUBLE NOZZLE - 5.0 mm CP
	H569X		DOUBLE NOZZLE - 6.0 mm CP
	2	H565X	
H567X			DOUBLE NOZZLE SHORT - 5.0 mm CP
H568X			DOUBLE NOZZLE SHORT - 6.0 mm CP

3	H590X	1572362	NOZZLE - 0.8 mm CP
	H591X	1572362	NOZZLE - 1.0 mm CP
	H592X	71369812	NOZZLE - 1.2 mm CP
	H593X	1572362	NOZZLE - 1.4 mm CP
	H597X	1572362 - 71501056	NOZZLE - 1.5 mm CP
	H575X	1572362	NOZZLE - 1.7 mm CP
	H594X	71501057 - 71515392	NOZZLE - 2.0 mm CP
	H572X		NOZZLE - 2.5 mm CP
	H595X	71501058 - 71515393	NOZZLE - 3.0 mm CP
	H596X	1572362	NOZZLE - 4.0 mm CP
	4	H1027X	
H1028X			NOZZLE STRAIGHT TAPER - 1.0 mm CP
H1029X			NOZZLE STRAIGHT TAPER - 1.2 mm CP
H1030X			NOZZLE STRAIGHT TAPER - 1.4 mm CP
H599X			NOZZLE STRAIGHT TAPER - 1.5 mm CP
H598X			NOZZLE STRAIGHT TAPER - 2.0 mm CP
H571X			NOZZLE STRAIGHT TAPER - 3.0 mm CP
5	H1031X	71502038 - 1576396A	DOUBLE NOZZLE - 1.4 mm CP W/CONCAVE
	H1024X		NOZZLE - 0.8 mm CP W/CONCAVE
	H1025X		NOZZLE - 1.0 mm CP W/CONCAVE
	H1026X	71502037	NOZZLE - 1.2 mm CP W/CONCAVE

For more information about the products listed in the catalog, please contact us.
Information about the price and availability is provided in response to inquiries.
The original codes are placed only in order to make easier the correct specification of the parts.

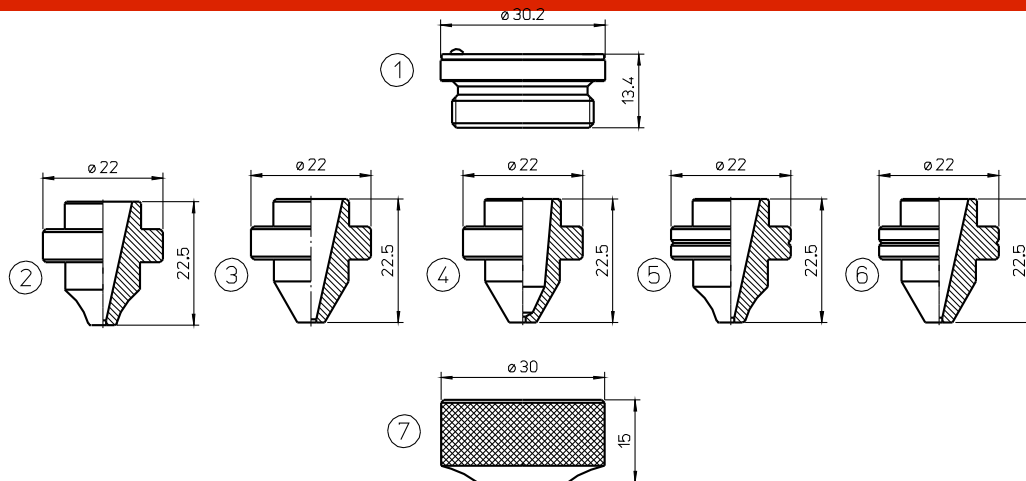
NOZZLES & ACCESSORIES



Pos.	Part name	Original code	Description
1	HA340	71502026	TEFLON INSULATOR FOR ADAPTOR
2	HA248	71502036	NOZZLE ADAPTOR WITH HOLES
	HA268		KIT O-RINGS FOR AL248
3	HA233		TEFLON O-RING FOR WATER COOLED SYST.
4	HA234	71515853	TEFLON RING FOR WATER COOLED SYSTEM
5	H1155X	71502039	DOUBLE NOZZLE - 2.5 mm CP WITH HOLES
	H1159X	71502040	DOUBLE NOZZLE - 4.0 mm CP WITH HOLES
6	H1041X		DOUBLE NOZZLE - 1.4 mm CP WITH HOLES
	H1043X		DOUBLE NOZZLE - 1.7 mm CP WITH HOLES
	H1044X		DOUBLE NOZZLE - 2.0 mm CP WITH HOLES
	H1045X	71502039	DOUBLE NOZZLE - 2.5 mm CP WITH HOLES
	H1049X	71502040	DOUBLE NOZZLE - 4.0 mm CP WITH HOLES
	H1050X		DOUBLE NOZZLE - 5.0 mm CP WITH HOLES
7	H1355X	71502039 - 1576400A	DOUBLE NOZZLE - 2.5 mm CP WITH HOLES
	H1359X	71712336 - 71461158	DOUBLE NOZZLE - 4.0 mm CP WITH HOLES

For more information about the products listed in the catalog, please contact us.
 Information about the price and availability is provided in response to inquiries.
 The original codes are placed only in order to make easier the correct specification of the parts.

NOZZLES & ACCESSORIES



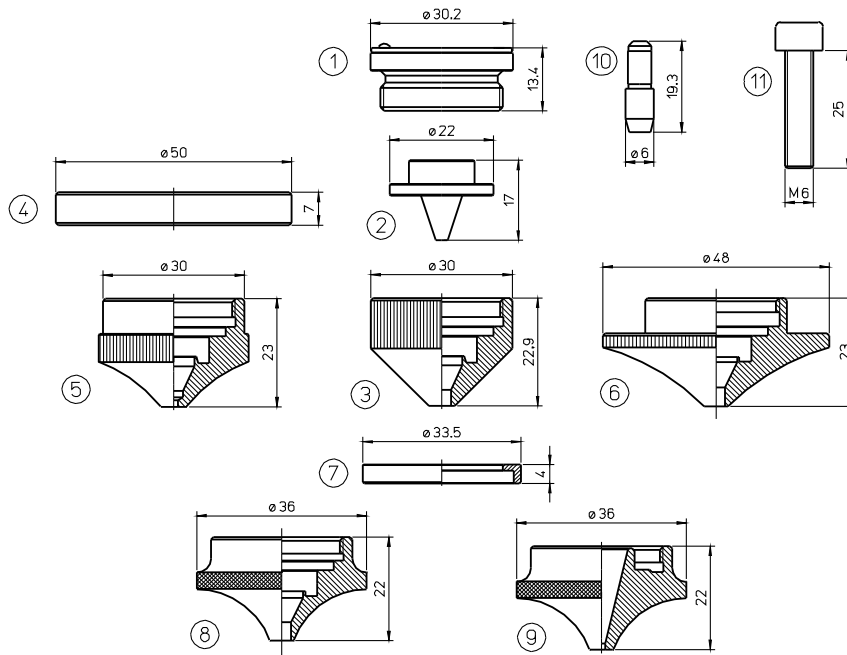
Pos.	Part name	Original code	Description
1	HA267	P0594-860-00001	NOZZLE HOLDER IT HP2" MZP/MEL
2	H1126	BQ933D283H01 - 71800016A0	NOZZLE - 1.0 mm WITH RADIUS NO GROOVE
3	H1134	71800018 - BQ943D157H01	NOZZLE - 1.5 mm
	H1131		NOZZLE - 1.7 mm
	H1135	71800019 - BQ943D157H02	NOZZLE - 2.0 mm
	H1136	71800020 - BQ943D157H03	NOZZLE - 2.5 mm
	H1137	71800021- BQ943D157H04	NOZZLE - 3.0 mm
	H1138	71800022 - BQ943D596H01	NOZZLE - 3.5 mm
	H1139	0	NOZZLE - 4.0 mm
	H1140X	71800109 - BQ943D714H01	NOZZLE - 4.0 mm CP FOR FOCUS POINT
	4	H1125	71800016 - BQ943D897H01
H1128		W18Q93309101	HV NOZZLE - 2.5 mm
H1129		W18Q93309102	HV NOZZLE - 3.0 mm
5	H1130	71800017 - BQ943D269H01	HV NOZZLE - 1.2 mm WITH RADIUS
6	H1132	W18Q93302701	HV NOZZLE - 1.7 mm
7	HA269	71800026 - BQ933D94H01	NOZZLE NUT SHORT

W celu uzyskania informacji o produktach niewymienionych w katalogu, zapraszamy do kontaktu.

Informacji o cenie i dostępności udzielamy w odpowiedzi na zapytania ofertowe.

Numery według producenta zostały umieszczone tylko i wyłącznie w celu ułatwienia prawidłowej specyfikacji towaru.

NOZZLES & ACCESSORIES



Pos.	Part name	Original code	Description
1	HA267	P0594-860-00001	NOZZLE HOLDER IT HP2" MZP/MEL
2	H1119	71800023 - BQ943D156H01	DOUBLE NOZZLE 8 HOLES
	H1123	71800024 - BQ943D156H01	DOUBLE NOZZLE 24 HOLES
	H1120		DOUBLE NOZZLE 8 HOLES
	H1124		DOUBLE NOZZLE 24 HOLES
3	HA238	71800027 - BQ933D221H04 - P0593-860-00001	SHIELD CUP SHORT
4	HA297		PLASTIC RING
5	HA302		OUTER NOZZLE - 1.7 mm
	HA303		OUTER NOZZLE - 2.0 mm
	HA304		OUTER NOZZLE - 2.5 mm
	HA305		OUTER NOZZLE - 3.0 mm
	HA306		OUTER NOZZLE - 4.0 mm
6	HA266	BQ933D044H01 - 71800101	OUTER NOZZLE HIGH SPEED PIERCE
7	HA341-T	71800155TF - BQ023D021H01	TEFLON INSULATION RING
	HA341-A	71800155AL - BQ023D021H01	ALUMINUM INSULATION RING

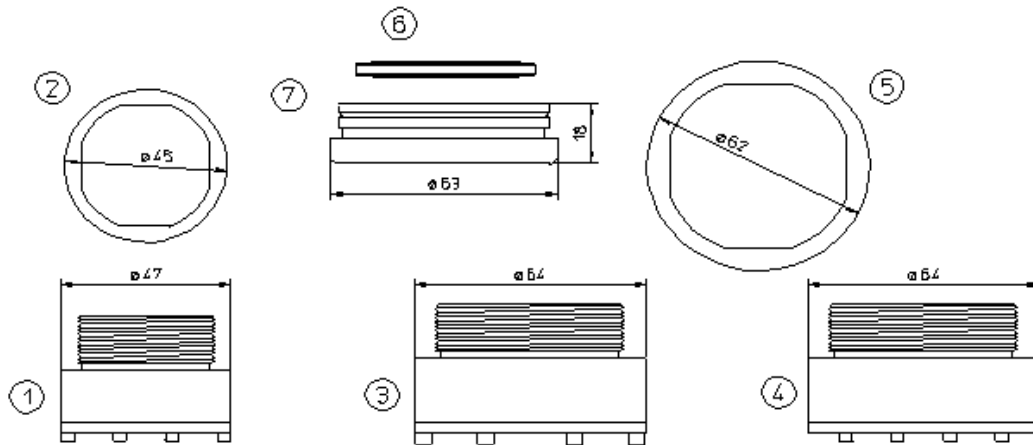
8	HA270	71802197 - BQ933D044H01	OUTER NOZZLE
9	H1262	7180015400 - BQ023D020H01	NOZZLE HIGH SPEED PIERCE - 1.7 mm
10	HA345	71800009 – P921K000P25	SAFETY PIN
11	HA346	71800008 - L249OA005	SAFETY SCREW

W celu uzyskania informacji o produktach niewymienionych w katalogu, zapraszamy do kontaktu.

Informacji o cenie i dostępności udzielamy w odpowiedzi na zapytania ofertowe.

Numerы według producenta zostały umieszczone tylko i wyłącznie w celu ułatwienia prawidłowej specyfikacji towaru.

NOZZLES & ACCESSORIES



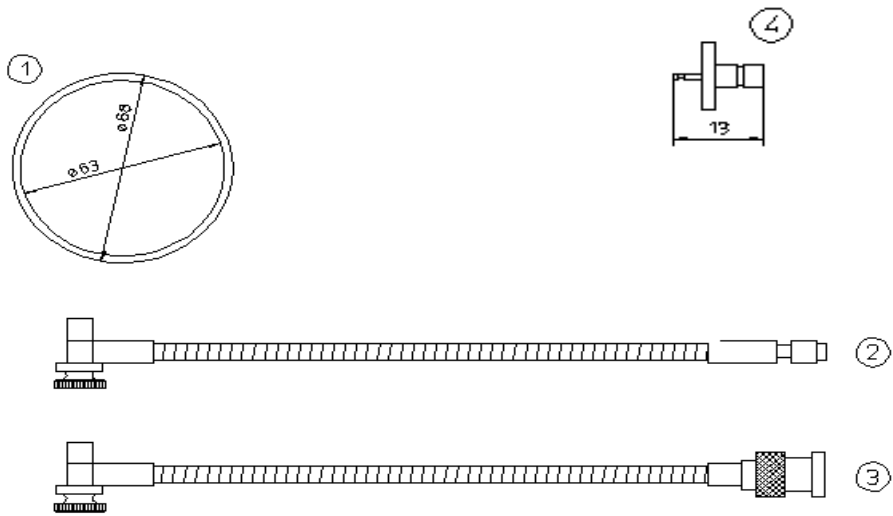
Pos.	Part name	Original code	Description
1	HA100		MOUNT FOR LENS - 1.5"
2	HA52	71360261	GASKET TEFLON - LENS HOUSING-1.5"
3	HA105		MOUNT FOR LENS - 2.0"
4	HA107		MOUNT FOR LENS - 1.5" F.O. ALUMINIUM
5	HA149	71361393	GASKET TEFLON - LENS HOUSING - 2.0"
6	HA249	71501071	GASKET FOR LENS FO NT
7	HA109		MOUNT FOR LENS FL 5.0" FO NT
	HA112		MOUNT FOR LENS FL 7.5" FO NT

W celu uzyskania informacji o produktach niewymienionych w katalogu, zapraszamy do kontaktu.

Informacji o cenie i dostępności udzielamy w odpowiedzi na zapytania ofertowe.

Numerы według producenta zostały umieszczone tylko i wyłącznie w celu ułatwienia prawidłowej specyfikacji towaru.

NOZZLES & ACCESSORIES



Pos.	Part name	Original code	Description
1	HA56		GASKET TEFLON FOR SENSOR HEAD
2	HA200	71341630	CONNECTING CABLE HS 5
3	HA260	71398965	CONNECTING CABLE HS-15 FO
4	HA263		SENSOR CABLE CONNECTOR HS-98
	HAI115		ACC. INDIUM WIRE - 1.0 mm FOR 1.5 mm LENSE
	HAI120		ACC. INDIUM WIRE - 1.0 mm FOR 2.0 mm LENS

W celu uzyskania informacji o produktach niewymienionych w katalogu, zapraszamy do kontaktu.

Informacji o cenie i dostępności udzielamy w odpowiedzi na zapytania ofertowe.

Numery według producenta zostały umieszczone tylko i wyłącznie w celu ułatwienia prawidłowej specyfikacji towaru.