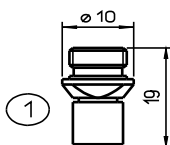


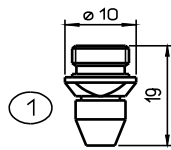
## PRIMA INDUSTRIE



POZ.	NR KAT.	NR PROD.	OPIS
	H70	490.76.102	PRIMA I. NOZZLE $\varnothing$ 0.3 COPPER CYLINDRICAL
	H74		PRIMA I. NOZZLE $\varnothing$ 1.0 BRASS CYLINDRICAL
	H418		PRIMA I. NOZZLE $\varnothing$ 1.0 COPPER CYLINDRICAL
	H416		PRIMA I. NOZZLE $\varnothing$ 1.2 COPPER CYLINDRICAL
	H54	485.73.321	PRIMA I. NOZZLE $\varnothing$ 1.5 BRASS CYLINDRICAL
	H419		PRIMA I. NOZZLE $\varnothing$ 1.5 COPPER CYLINDRICAL
	H417		PRIMA I. NOZZLE $\varnothing$ 1.7 COPPER CYLINDRICAL
	H55	485.73.322	PRIMA I. NOZZLE $\varnothing$ 2.0 BRASS CYLINDRICAL
	H420		PRIMA I. NOZZLE $\varnothing$ 2.0 COPPER CYLINDRICAL
	H204	485.73.323	PRIMA I. NOZZLE $\varnothing$ 2.5 BRASS CYLINDRICAL
1	H421		PRIMA I. NOZZLE $\varnothing$ 2.5 COPPER CYLINDRICAL
	H205	485.73.324	PRIMA I. NOZZLE $\varnothing$ 3.0 BRASS CYLINDRICAL
	H422		PRIMA I. NOZZLE $\varnothing$ 3.0 COPPER CYLINDRICAL
	H418X		PRIMA I. NOZZLE $\varnothing$ 1.0 CP
	H416X		PRIMA I. NOZZLE $\varnothing$ 1.2 CP
	H419X	485.73.421	PRIMA I. NOZZLE $\varnothing$ 1.5 CP
	H417X		PRIMA I. NOZZLE $\varnothing$ 1.7 CP
	H420X	485.73.422	PRIMA I. NOZZLE $\varnothing$ 2.0 CP
	H421X	485.73.423	PRIMA I. NOZZLE $\varnothing$ 2.5 CP
	H422X	485.73.424	PRIMA I. NOZZLE $\varnothing$ 3.0 CP

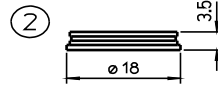
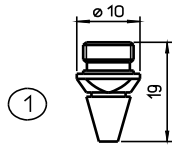
---

# PRIMA INDUSTRIE



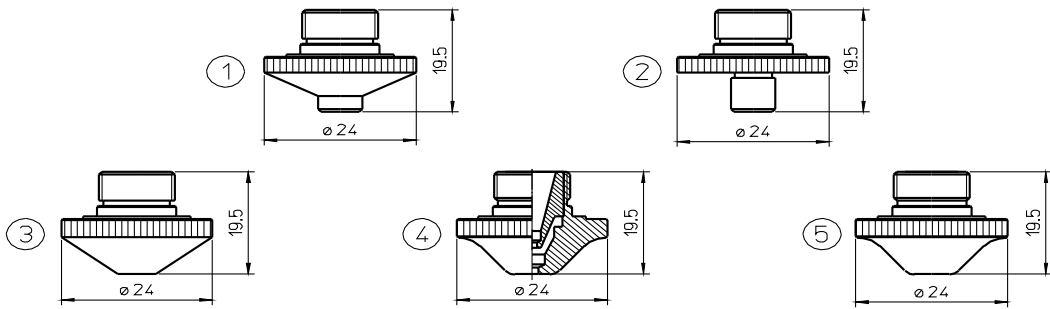
POZ.	NR KAT.	NR PROD.	OPIS
1	H631		PRIMA I. NOZZLE Ø 0.3
	H632		PRIMA I. NOZZLE Ø 1.0
	H637		PRIMA I. NOZZLE Ø 1.2
	H633		PRIMA I. NOZZLE Ø 1.5
	H638		PRIMA I. NOZZLE Ø 1.7
	H634		PRIMA I. NOZZLE Ø 2.0
	H635		PRIMA I. NOZZLE Ø 2.5
	H636		PRIMA I. NOZZLE Ø 3.0

# PRIMA INDUSTRIE

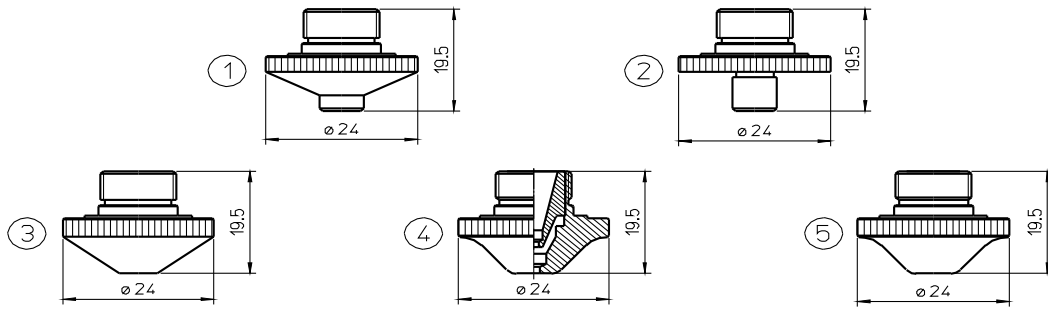


POZ.	NR KAT.	NR PROD.	OPIS
1	H62	490.76.103	PRIMA I. NOZZLE Ø 0.3 CONICAL COPPER
	H450		PRIMA I. NOZZLE Ø 1.0 CONICAL COPPER
	H451		PRIMA I. NOZZLE Ø 1.2 CONICAL COPPER
	H206	485.73.331	PRIMA I. NOZZLE Ø 1.5 CONICAL BRASS
	H424		PRIMA I. NOZZLE Ø 1.5 CONICAL COPPER
	H426		PRIMA I. NOZZLE Ø 1.7 CONICAL COPPER
	H57	485.73.333	PRIMA I. NOZZLE Ø 2.0 CONICAL BRASS
	H425		PRIMA I. NOZZLE Ø 2.0 CONICAL COPPER
	H449	485.73.333	PRIMA I. NOZZLE Ø 2.5 CONICAL BRASS
	H427		PRIMA I. NOZZLE Ø 2.5 CONICAL COPPER
	H450X		PRIMA I. NOZZLE Ø 1.0 CP
	H451X		PRIMA I. NOZZLE Ø 1.2 CP
	H424X	485.73.431	PRIMA I. NOZZLE Ø 1.5 CP
	H426X		PRIMA I. NOZZLE Ø 1.7 CP
	H425X	485.73.433	PRIMA I. NOZZLE Ø 2.0 CP
	H427X		PRIMA I. NOZZLE Ø 2.5 CP
	2	HA136	
HA163			PRIMA I. INSULATING RING-PLASTIC - HEAD 7.5"

# PRIMA INDUSTRIE

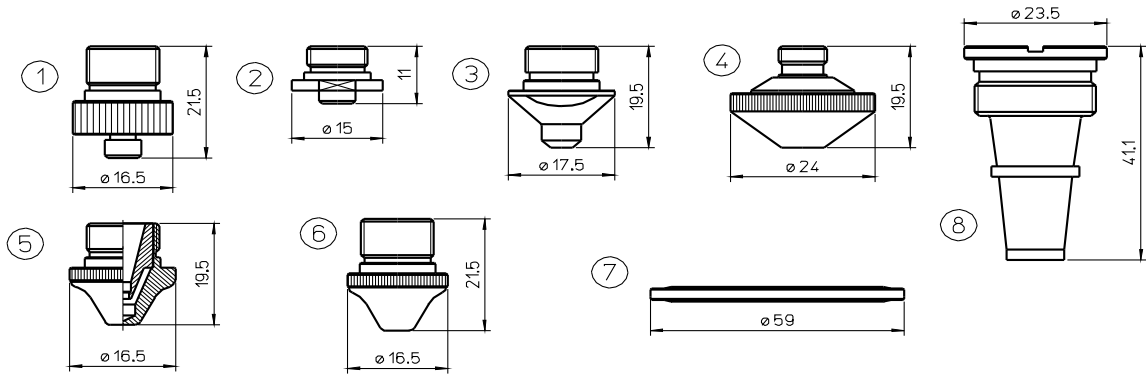


POZ.	NR KAT.	NR PROD.	OPIS
1	H532		PRIMA I. NOZZLE Ø 0.8
	H312		PRIMA I. NOZZLE Ø 1.0
	H207	LW6.1E.111	PRIMA I. NOZZLE Ø 1.5
	H208	LW6.1E.112	PRIMA I. NOZZLE Ø 2.0
	H209	LW6.1E.113	PRIMA I. NOZZLE Ø 2.5
	H210	LW6.1E.114	PRIMA I. NOZZLE Ø 3.0
	H312X		PRIMA I. NOZZLE Ø 1.0 CP
	H207X	LW6.1E.111	PRIMA I. NOZZLE Ø 1.5 CP
	H208X	LW6.1E.112	PRIMA I. NOZZLE Ø 2.0 CP
	H209X	LW6.1E.113	PRIMA I. NOZZLE Ø 2.5 CP
	H210X	LW6.1E.114	PRIMA I. NOZZLE Ø 3.0 CP
2	H608	LW6.1G.500-LW6.1G.600	PRIMA I. NOZZLE Ø 1.5
	H609	LW6.1G.501-LW6.1G.601	PRIMA I. NOZZLE Ø 2.0
	H610	LW6.1G.502-LW6.1G.602	PRIMA I. NOZZLE Ø 2.5
	H611	LW6.1G.503-LW6.1G.603	PRIMA I. NOZZLE Ø 3.0
3	H862		PRIMA I. NOZZLE Ø 1.0
	H863		PRIMA I. NOZZLE Ø 1.5
	H864		PRIMA I. NOZZLE Ø 2.0
	H865		PRIMA I. NOZZLE Ø 2.5
	H866		PRIMA I. NOZZLE Ø 3.0

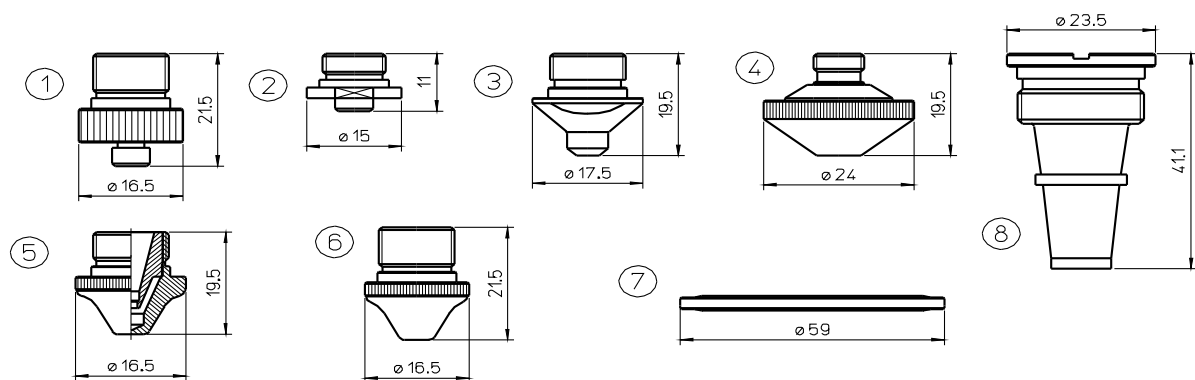


4	H900X	1059.70000.003	PRIMA I. DOUBLE NOZZLE Ø 1.0 CP
	H907X	1059.70000.008	PRIMA I. DOUBLE NOZZLE Ø 1.25 CP
	H901X	1059.70000.004	PRIMA I. DOUBLE NOZZLE Ø 1.5 CP
	H906X		PRIMA I. DOUBLE NOZZLE Ø 1.75 CP
	H902X	1059.70000.005	PRIMA I. DOUBLE NOZZLE Ø 2.0 CP
	H903X	1059.70000.006	PRIMA I. DOUBLE NOZZLE Ø 2.5 CP
	H904X	1059.70000.007	PRIMA I. DOUBLE NOZZLE Ø 3.0 CP
	5	H1167X	LW6. 1G. 604
H1168X		LW6. 1G. 605	PRIMA I. NOZZLE Ø 2.0 CP
H1169X		LW6. 1G. 606	PRIMA I. NOZZLE Ø 2.5 CP
H1170X		LW6. 1G. 607	PRIMA I. NOZZLE Ø 3.0 CP

# PRIMA INDUSTRIE

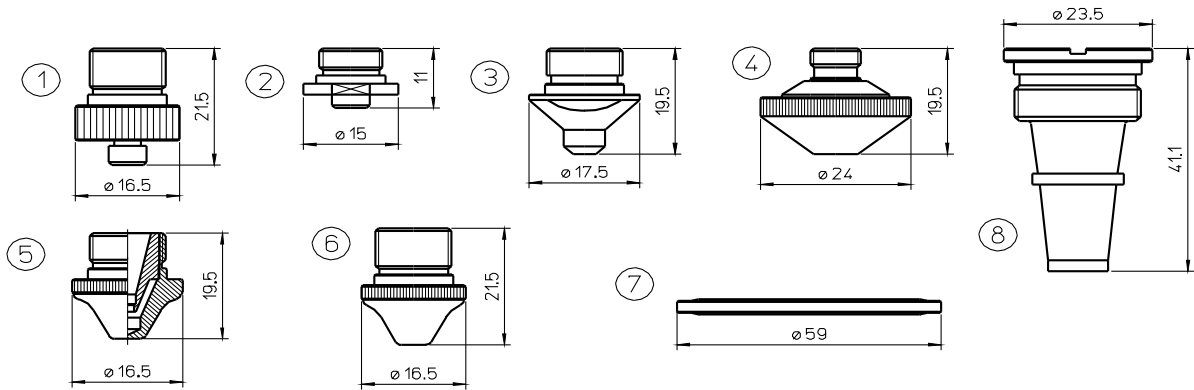


POZ.	NR KAT.	NR PROD.	OPIS
1	H1175	787.04.508	PRIMA I. NOZZLE Ø 1.5
	H1176	787.04.509	PRIMA I. NOZZLE Ø 2.0
	H1177	787.04.510	PRIMA I. NOZZLE Ø 2.5
	H1178	787.04.511	PRIMA I. NOZZLE Ø 3.0
2	H535		PRIMA I. NOZZLE Ø 1.5
	H536		PRIMA I. NOZZLE Ø 2.0
	H537		PRIMA I. NOZZLE Ø 2.5
3	H891		PRIMA I. NOZZLE Ø 1.0
	H892	750.42.550	PRIMA I. NOZZLE Ø 1.5
	H893	750.42.551	PRIMA I. NOZZLE Ø 2.0
	H894	750.42.552	PRIMA I. NOZZLE Ø 2.5
	H895	750.42.553	PRIMA I. NOZZLE Ø 3.0
	H891X		PRIMA I. NOZZLE Ø 1.0 CP
	H892X	750.42.550	PRIMA I. NOZZLE Ø 1.5 CP
	H893X	750.42.551	PRIMA I. NOZZLE Ø 2.0 CP
	H894X	750.42.552	PRIMA I. NOZZLE Ø 2.5 CP
	H895X	750.42.553	PRIMA I. NOZZLE Ø 3.0 CP

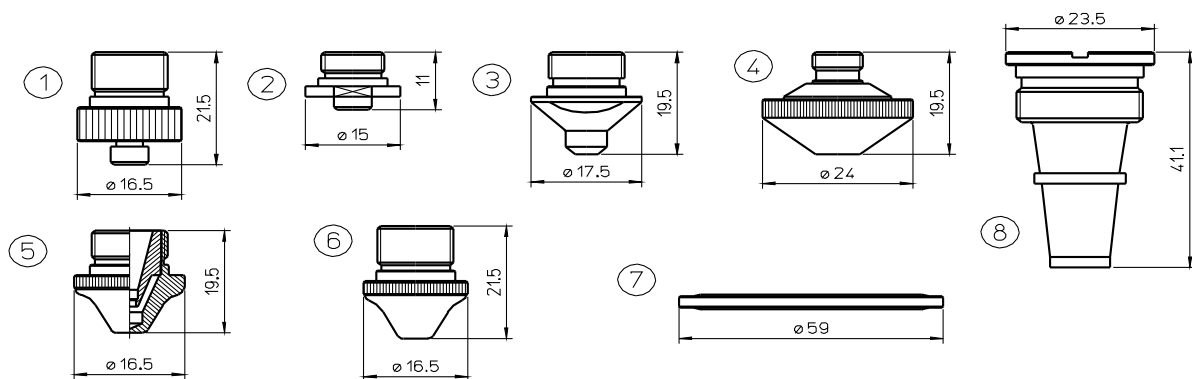


4	H875		PRIMA I. L.W. NOZZLE Ø 1.0
	H876		PRIMA I. L.W. NOZZLE Ø 1.5
	H877	LW3.1E.102	PRIMA I. L.W. NOZZLE Ø 2.0
	H878	LW3.1E.103	PRIMA I. L.W. NOZZLE Ø 2.5
	H879	LW3.1E.104	PRIMA I. L.W. NOZZLE Ø 3.0
	5	H1239X	520.17.111
H1240X		520.17.114	PRIMA I. DOUBLE NOZZLE Ø 2.0 CP
H1241X		750.43.560	PRIMA I. DOUBLE NOZZLE Ø 2.5 CP
H1242X		750.43.561	PRIMA I. DOUBLE NOZZLE Ø 3.0 CP
H1243X		750.43.562	PRIMA I. DOUBLE NOZZLE Ø 3.5 CP
6		H1211X	787.04.515
	H1212X	787.04.512	PRIMA I. NOZZLE Ø 1.5 CP
	H1217X	787.04.516	PRIMA I. NOZZLE Ø 1.75 CP
	H1213X	787.04.513	PRIMA I. NOZZLE Ø 2.0 CP
	H1214X	787.04.514	PRIMA I. NOZZLE Ø 2.5 CP
	7	HA259	1058.36520.720
8	H1198		PRIMA I. OPTIMO WELDING NOZZLE COPPER

# PRIMA INDUSTRIE



POZ.	NR KAT.	NR PROD.	OPIS
1	H1175	787.04.508	PRIMA I. NOZZLE $\varnothing 1.5$
	H1176	787.04.509	PRIMA I. NOZZLE $\varnothing 2.0$
	H1177	787.04.510	PRIMA I. NOZZLE $\varnothing 2.5$
	H1178	787.04.511	PRIMA I. NOZZLE $\varnothing 3.0$
2	H535		PRIMA I. NOZZLE $\varnothing 1.5$
	H536		PRIMA I. NOZZLE $\varnothing 2.0$
	H537		PRIMA I. NOZZLE $\varnothing 2.5$
3	H891		PRIMA I. NOZZLE $\varnothing 1.0$
	H892	750.42.550	PRIMA I. NOZZLE $\varnothing 1.5$
	H893	750.42.551	PRIMA I. NOZZLE $\varnothing 2.0$
	H894	750.42.552	PRIMA I. NOZZLE $\varnothing 2.5$
	H895	750.42.553	PRIMA I. NOZZLE $\varnothing 3.0$
	H891X		PRIMA I. NOZZLE $\varnothing 1.0$ CP
	H892X	750.42.550	PRIMA I. NOZZLE $\varnothing 1.5$ CP
	H893X	750.42.551	PRIMA I. NOZZLE $\varnothing 2.0$ CP
	H894X	750.42.552	PRIMA I. NOZZLE $\varnothing 2.5$ CP
	H895X	750.42.553	PRIMA I. NOZZLE $\varnothing 3.0$ CP
4	H875		PRIMA I. L.W. NOZZLE $\varnothing 1.0$
	H876		PRIMA I. L.W. NOZZLE $\varnothing 1.5$
	H877	LW3.1E.102	PRIMA I. L.W. NOZZLE $\varnothing 2.0$
	H878	LW3.1E.103	PRIMA I. L.W. NOZZLE $\varnothing 2.5$
	H879	LW3.1E.104	PRIMA I. L.W. NOZZLE $\varnothing 3.0$



5	H1239X	520.17.111	PRIMA I. DOUBLE NOZZLE Ø 1.5 CP
	H1240X	520.17.114	PRIMA I. DOUBLE NOZZLE Ø 2.0 CP
	H1241X	750.43.560	PRIMA I. DOUBLE NOZZLE Ø 2.5 CP
	H1242X	750.43.561	PRIMA I. DOUBLE NOZZLE Ø 3.0 CP
	H1243X	750.43.562	PRIMA I. DOUBLE NOZZLE Ø 3.5 CP
6	H1211X	787.04.515	PRIMA I. NOZZLE Ø 1.25 CP
	H1212X	787.04.512	PRIMA I. NOZZLE Ø 1.5 CP
	H1217X	787.04.516	PRIMA I. NOZZLE Ø 1.75 CP
	H1213X	787.04.513	PRIMA I. NOZZLE Ø 2.0 CP
	H1214X	787.04.514	PRIMA I. NOZZLE Ø 2.5 CP
7	HA259	1058.36520.720	PRIMA I. GASKET FOR LENS
8	H1198		PRIMA I. OPTIMO WELDING NOZZLE COPPER

## **MATERIAŁY EKSPLOATACYJNE DO CZYSZCZENIA OPTYKI**



Mleczko do polerowania optyki (250 ml)

Mleczko do polerowania optyki (50 ml)

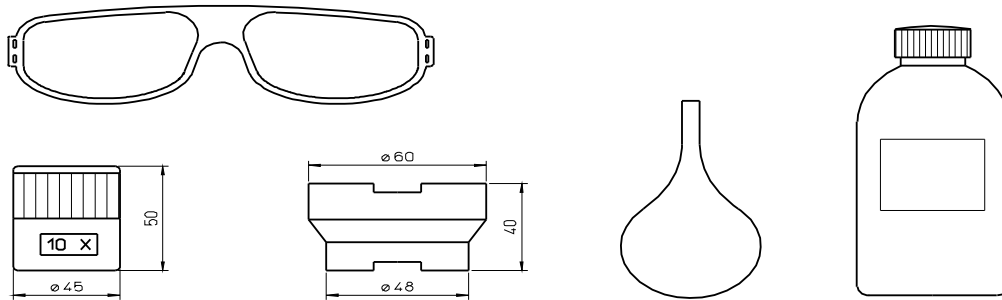
Papierki czyszczące 10x20 cm (500 szt.)

Papierki czyszczące 10x15 cm (50 szt.)

Patyczki bawełniane 100% bawełny

Aceton (250 ml)

## AKCESORIA



HA1100		LASER CO2 GLASSES CE APPROVED
HA2100		LASER CO2 MASK DL 4 CE APPROVED
HA3100		LASER CO2 GLASSES DL 4 CE APPROVED
HA1002		MIRROR CLEANING LIQUID - bottle cl 20
HA1001	123602	LENS CLEANING LIQUID - bottle cl 20
HA1003-100	240568-100	LENS CLEANING - ml 100
HA1003-200	240568-200	LENS CLEANING - ml 200
HA1004		POLISH DETERGENT
HA1010		DROPPER FOR LENS CLEANING LIQUID
HA1120		LATEX GLOVES - 10 pieces
HAI115		INDIUM WIRE Ø 1.0mm FOR 1.5" LENSE
HAI115/M		MAZAK INDIUM 0.8mm FOR 1.5" MAZAK LENS
HAI120		INDIUM WIRE Ø 1.0mm FOR Ø 2.0mm LENS
HAI120/M		MAZAK INDIUM 0,8mm FOR 2,0" LENS
50		LENS CLEANING PAPER - 50sheets
100		KODAK LENS CLEANING PAPER - 50sheets
20		COTTON SWAB -20 pieces
HA1115		LENS CLEANING PRE-CUT COTTON - 100 pieces
HA255	091860	SCALE LUPE
HA271		BASE FOR LENS MAINTENANCE
HA282		INJECTOR

## OKULARY OCHRONNE

POZ.	NR KAT.	OPIS	
1	HA1015	Wzmocnione	
		Filtr typu 08	
		Transmisja światła dziennego ok. 90%	
		Kolor: bezbarwny	
2	HA2012	Umożliwiają montaż wkładu korekcyjnego	
		Wzmocnione	
		Filtr typu 08	
		Transmisja światła dziennego ok. 90%	
		Kolor: bezbarwny	
3	HA3018	Wentylowane okulary koszykowe	
		Możliwość nakładania na okulary korekcyjne	
		Wzmocnione	
		Filtr typu 08	
		Transmisja światła dziennego ok. 90%	
<b>W celu wyspecyfikowania odpowiednich okularów ochronnych prosimy o kontakt.</b>			