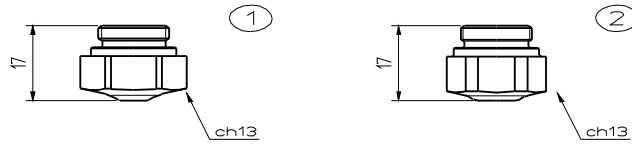
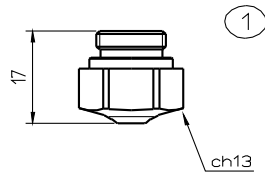


## BYSTRONIC



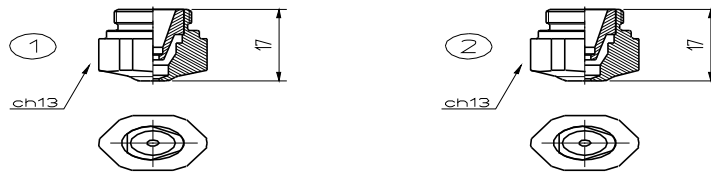
POZ.	NR KAT.	NR PROD.	OPIS
1	H674	3-04277 HK08	BYSTRONIC NOZZLE Ø 0.8 HD
	H72	3-01910 HK10	BYSTRONIC NOZZLE Ø 1.0 HD
	H121	3-01911 HK12	BYSTRONIC NOZZLE Ø 1.25 HD
	H73	3-01912 HK15	BYSTRONIC NOZZLE Ø 1.5 HD
	H122	3-01913 HK17	BYSTRONIC NOZZLE Ø 1.75 HD
	H72X	3-01910 HK10	BYSTRONIC NOZZLE Ø 1.0 HD CP
	H121X	3-01911 HK12	BYSTRONIC NOZZLE Ø 1.25 HD CP
	H73X	3-01912 HK15	BYSTRONIC NOZZLE Ø 1.5 HD CP
	H122X	3-01913 HK17	BYSTRONIC NOZZLE Ø 1.75 HD CP
	2	H123	3-01914 HK20
H140		3-03854 HK25	BYSTRONIC NOZZLE Ø 2.5 HD
H265		3-06112 HK30	BYSTRONIC NOZZLE Ø 3.0 HD
H700		HK35	BYSTRONIC NOZZLE Ø 3.5 HD
H701		HK40	BYSTRONIC NOZZLE Ø 4.0 HD
H123X		3-01914 HK20	BYSTRONIC NOZZLE Ø 2.0 HD CP
H140X		3-03854 HK25	BYSTRONIC NOZZLE Ø 2.5 HD CP
H265X		3-06112 HK30	BYSTRONIC NOZZLE Ø 3.0 HD CP
H700X		HK35	BYSTRONIC NOZZLE Ø 3.5 HD CP
H701X		HK40	BYSTRONIC NOZZLE Ø 4.0 HD CP

# BYSTRONIC



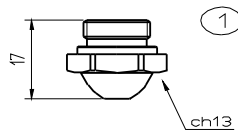
POZ.	NR KAT.	NR PROD.	OPIS
	H83	3-04273 K08	BYSTRONIC NOZZLE Ø 0.8
	H116	3-01905 K10	BYSTRONIC NOZZLE Ø 1.0
	H117	3-01906 K12	BYSTRONIC NOZZLE Ø 1.25
	H118	3-01907 K15	BYSTRONIC NOZZLE Ø 1.5
	H119	3-01908 K17	BYSTRONIC NOZZLE Ø 1.75
	H120	3-01909 K20	BYSTRONIC NOZZLE Ø 2.0
	H675	3-04274 K25	BYSTRONIC NOZZLE Ø 2.5
1	H678	3-04275 K30	BYSTRONIC NOZZLE Ø 3.0
	H83X	3-04273 K08	BYSTRONIC NOZZLE Ø 0.8 CP
	H116X	3-01905 K10	BYSTRONIC NOZZLE Ø 1.0 CP
	H117X	3-01906 K12	BYSTRONIC NOZZLE Ø 1.25 CP
	H118X	3-01907 K15	BYSTRONIC NOZZLE Ø 1.5 CP
	H119X	3-01908 K17	BYSTRONIC NOZZLE Ø 1.75 CP
	H120X	3-01909 K20	BYSTRONIC NOZZLE Ø 2.0 CP
	H675X	3-04274 K25	BYSTRONIC NOZZLE Ø 2.5 CP

# BYSTRONIC



POZ.	NR KAT.	NR PROD.	OPIS
1	H600	3-16058 NK10 - 15	BYSTRONIC DOUBLE NOZZLE Ø 1.0
	H601	3-16059 NK12- 15	BYSTRONIC DOUBLE NOZZLE Ø 1.25
	H602	3-16060 NK15- 15	BYSTRONIC DOUBLE NOZZLE Ø 1.5
	H603	3-14317 NK17 - 15	BYSTRONIC DOUBLE NOZZLE Ø 1.75
	H600X	3-16058 NK10- 15	BYSTRONIC DOUBLE NOZZLE Ø 1.0 CP
	H601X	3-16059 NK12- 15	BYSTRONIC DOUBLE NOZZLE Ø 1.25 CP
	H602X	3-16060 NK15 - 15	BYSTRONIC DOUBLE NOZZLE Ø 1.5 CP
	H603X	3-14317 NK17 - 15	BYSTRONIC DOUBLE NOZZLE Ø 1.75 CP
2	H604	3-14318 NK20 - 15	BYSTRONIC DOUBLE NOZZLE Ø 2.0
	H605	3-14319 NK25 - 15	BYSTRONIC DOUBLE NOZZLE Ø 2.5
	H612	3-16256 NK25 - 20	BYSTRONIC DOUBLE NOZZLE Ø 2.5
	H613	3-16061 NK30 - 17	BYSTRONIC DOUBLE NOZZLE Ø 3.0
	H606	3-16257 NK30 - 20	BYSTRONIC DOUBLE NOZZLE Ø 3.0
	H607	NK35-30	BYSTRONIC DOUBLE NOZZLE Ø 3.5
	H604X	3-14318 NK20 - 15	BYSTRONIC DOUBLE NOZZLE Ø 2.0 CP
	H605X	3-14319 NK25 - 15	BYSTRONIC DOUBLE NOZZLE Ø 2.5 CP
	H612X	3-16256 NK25 - 20	BYSTRONIC DOUBLE NOZZLE Ø 2.5 CP
	H613X	3-16061 NK30 - 17	BYSTRONIC DOUBLE NOZZLE Ø 3.0 CP
	H606X	3-16257 NK30 - 20	BYSTRONIC DOUBLE NOZZLE Ø 3.0 CP
	H607X	NK35-30	BYSTRONIC DOUBLE NOZZLE Ø 3.5 CP

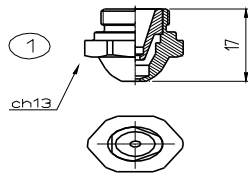
# BYSTRONIC



## **BYSPEED**

POZ.	NR KAT.	NR PROD.	OPIS
1	H82	3-04271 08	BYSTRONIC NOZZLE Ø 0.8
	H98	3-01894 10	BYSTRONIC NOZZLE Ø 1.0
	H99	3-01895 12	BYSTRONIC NOZZLE Ø 1.25
	H100	3-01896 15	BYSTRONIC NOZZLE Ø 1.5
	H101	3-01897 17	BYSTRONIC NOZZLE Ø 1.75
	H102	3-01898 20	BYSTRONIC NOZZLE Ø 2.0
	H676	3-04272 25	BYSTRONIC NOZZLE Ø 2.5
	H673	3-04275 H08	BYSTRONIC NOZZLE Ø 0.8 HD
	H88	3-01899 H10	BYSTRONIC NOZZLE Ø 1.0 HD
	H103	3-01900 H12	BYSTRONIC NOZZLE Ø 1.25 HD
	H104	3-01901 H15	BYSTRONIC NOZZLE Ø 1.5 HD
	H105	3-01902 H17	BYSTRONIC NOZZLE Ø 1.75 HD
	H106	3-01903 H20	BYSTRONIC NOZZLE Ø 2.0 HD
	H677	3-04276 H25	BYSTRONIC NOZZLE Ø 2.5 HD
	H679	H30	BYSTRONIC NOZZLE Ø 3.0 HD
	H88X	3-01899 H10	BYSTRONIC NOZZLE Ø 1.0 HD CP
	H103X	3-01900 H12	BYSTRONIC NOZZLE Ø 1.25 HD CP
	H104X	3-01901 H15	BYSTRONIC NOZZLE Ø 1.5 HD CP
	H105X	3-01902 H17	BYSTRONIC NOZZLE Ø 1.75 HD CP
	H106X	3-01903 H20	BYSTRONIC NOZZLE Ø 2.0 HD CP
	H677X	3-04276 H25	BYSTRONIC NOZZLE Ø 2.5 HD CP
	H679X	H30	BYSTRONIC NOZZLE Ø 3.0 HD CP

# BYSTRONIC



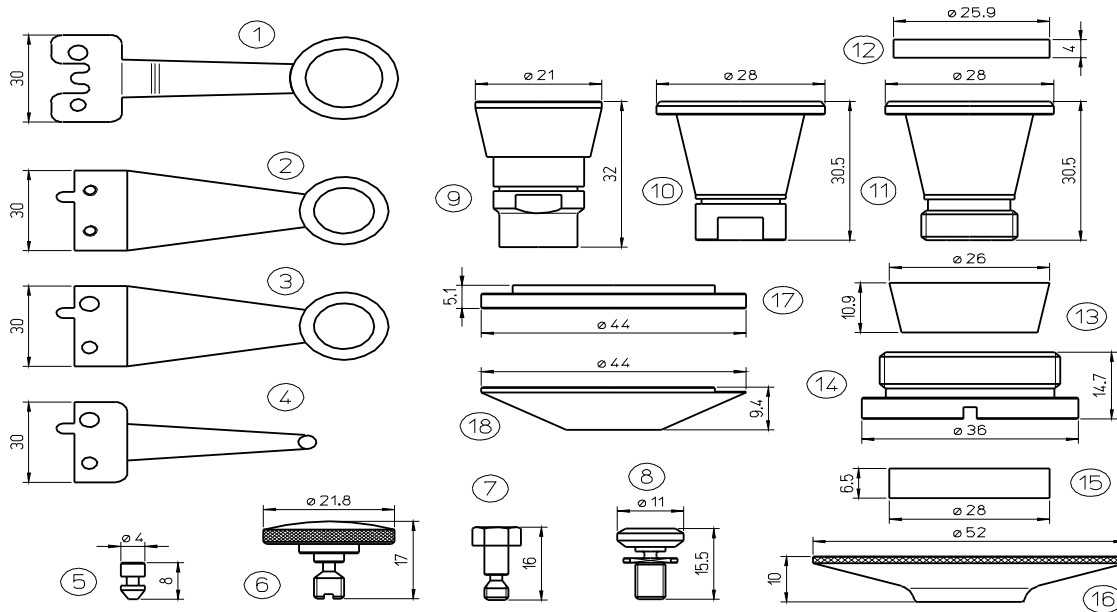
POZ.	NR KAT.	NR PROD.	OPIS
1	H1250	N10-15	BYSTRONIC DOUBLE NOZZLE Ø 1.0
	H1251	N12-15	BYSTRONIC DOUBLE NOZZLE Ø 1.25
	H1252	N15-15	BYSTRONIC DOUBLE NOZZLE Ø 1.5
	H1253	N17-15	BYSTRONIC DOUBLE NOZZLE Ø 1.75
	H1254	N20-15	BYSTRONIC DOUBLE NOZZLE Ø 2.0
	H1255	N25-15	BYSTRONIC DOUBLE NOZZLE Ø 2.5
	H1256	N25-20	BYSTRONIC DOUBLE NOZZLE Ø 2.5
	H1257	N30-17	BYSTRONIC DOUBLE NOZZLE Ø 3.0
	H1258	N30-20	BYSTRONIC DOUBLE NOZZLE Ø 3.0
	H1250X	N10-15	BYSTRONIC DOUBLE NOZZLE Ø 1.0 CP
	H1251X	N12-15	BYSTRONIC DOUBLE NOZZLE Ø 1.25 CP
	H1252X	N15-15	BYSTRONIC DOUBLE NOZZLE Ø 1.5 CP
	H1253X	N17-15	BYSTRONIC DOUBLE NOZZLE Ø 1.75 CP
	H1254X	N20-15	BYSTRONIC DOUBLE NOZZLE Ø 2.0 CP
	H1255X	N25-15	BYSTRONIC DOUBLE NOZZLE Ø 2.5 CP
	H1256X	N25-20	BYSTRONIC DOUBLE NOZZLE Ø 2.5 CP
	H1257X	N30-17	BYSTRONIC DOUBLE NOZZLE Ø 3.0 CP
	H1258X	N30-20	BYSTRONIC DOUBLE NOZZLE Ø 3.0 CP

# BYSTRONIC



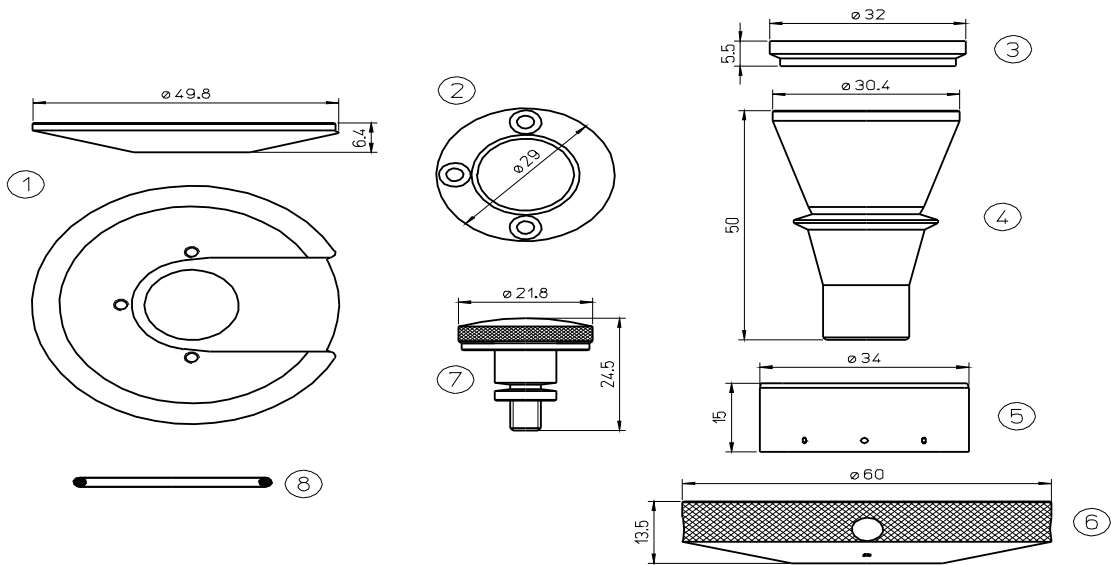
POZ.	NR KAT.	NR PROD.	OPIS
1	H22	3-04271 08	BYSTRONIC NOZZLE Ø 0.8
	H14	3-01894 10	BYSTRONIC NOZZLE Ø 1.0
	H41	3-01895 12	BYSTRONIC NOZZLE Ø 1.25
	H17	3-01896 15	BYSTRONIC NOZZLE Ø 1.5
	H42	3-01897 17	BYSTRONIC NOZZLE Ø 1.75
	H33	3-01898 20	BYSTRONIC NOZZLE Ø 2.0
	H43	3-01899 H10	BYSTRONIC NOZZLE Ø 1.0 HD
	H16	3-01900 H12	BYSTRONIC NOZZLE Ø 1.25 HD
	H44	3-01901 H15	BYSTRONIC NOZZLE Ø 1.5 HD
	H45	3-01902 H17	BYSTRONIC NOZZLE Ø 1.75 HD
	H46	3-01903 H20	BYSTRONIC NOZZLE Ø 2.0 HD
	2	H71	3-04273 K08
H107		3-01905 K10	BYSTRONIC NOZZLE Ø 1.0
H108		3-01906 K12	BYSTRONIC NOZZLE Ø 1.25
H109		3-01907 K15	BYSTRONIC NOZZLE Ø 1.5
H110		3-01908 K17	BYSTRONIC NOZZLE Ø 1.75
H111		3-01909 K20	BYSTRONIC NOZZLE Ø 2.0
H89		3-01910 HK10	BYSTRONIC NOZZLE Ø 1.0 HD
H112		3-01911 HK12	BYSTRONIC NOZZLE Ø 1.25 HD
H113		3-01912 HK15	BYSTRONIC NOZZLE Ø 1.5 HD
H114		3-01913 HK17	BYSTRONIC NOZZLE Ø 1.75 HD
H115		3-01914 HK20	BYSTRONIC NOZZLE Ø 2.0 HD

# BYSTRONIC



POZ.	NR KAT.	NR PROD.	OPIS
1	HA26	3-05530	BYSTRONIC SCANNER
2	HA5	2-01262	BYSTRONIC SCANNER
3	HA252	2-02015	BYSTRONIC SCANNER
4	HA251	2-02016	BYSTRONIC BALL SCANNER
5	HA24	4-03137	BYSTRONIC PIN
6	HA25	4-03136	BYSTRONIC KNURLED SCREW - BRASS
7	HA1	4-00324	BYSTRONIC KNURLED SCREW
8	HA208	3-09001	BYSTRONIC SCREW FOR CROSS-JET
9	HA188	3-02291	BYSTRONIC NOZZLE BODY
10	HA102	3-05497	BYSTRONIC COPPER NOZZLE BODY
11	HA172	2-08701	BYSTRONIC NOZZLE BODY
12	HA125	4-01642	BYSTRONIC CERAMIC INSULATING DISC
	HA231	4-01642	BYSTRONIC CERAMIC INSULATING DISC NEW VERSION
13	HA124	4-01959	BYSTRONIC CERAMIC CONE
	HA230	4-01959	BYSTRONIC CERAMIC CONE - NEW VERSION
14	HA174	3-11071	BYSTRONIC FASTENING NUT
15	HA126	4-09010	BYSTRONIC CERAMIC INSULATING RING
16	HA173	2-08700	BYSTRONIC SIGNBOARD
17	HA206	3-03663-T	BYSTRONIC TEFLON DISC
18	HA205	3-03663-C	BYSTRONIC SIGNBOARD
	HA246		BYSTRONIC SCREW KIT ( 3 PCS ) FOR AL205

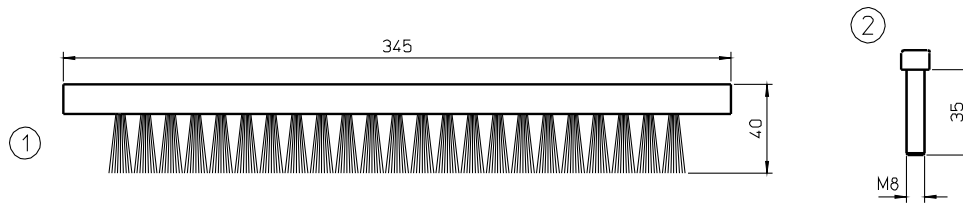
# BYSTRONIC



## **BYSPEED**

POZ.	NR KAT.	NR PROD.	OPIS
1	HA222	3-06035	BYSTRONIC SIGNBOARD COPPER ONLY
	HA245		BYSTRONIC SCREW KIT ( 3 PCS ) FOR AL222
2	HA120	3-06035-T	BYSTRONIC DISC TEFLON
	HA120/P	3-06035-P	BYSTRONIC DISK LONG LIFE
3	HA215	3-13113	BYSTRONIC INSULATING RING
4	HA214	2-10837	BYSTRONIC NOZZLE BODY
5	HA216	3-13422	BYSTRONIC INSULATING RING WITH HOLES
6	HA258	3-13110	BYSTRONIC SHIELD COPPER
7	HA209	4-04976	BYSTRONIC KNURLED SCREW
8	HA225	3141300	BYSTRONIC O'RING
	HA226	3141122	BYSTRONIC O'RING
	3140236	3140236	BYSTRONIC O'RING
	HA99	3140820	BYSTRONIC O'RING FOR LENS

## BYSTRONIC



POZ.	NR KAT.	NR PROD.	OPIS
1	HA300	2-06511	BYSTRONIC BRUSH 345x30x20 WITH SCREWS
2	333884	333884	BYSTRONIC PLASTIC SCREWS DIN 912 8X35 - 2 pcs

## FILTRY I OLEJE

	NR KAT.	NR PROD.	OPIS
	7004621	D020	BYSTRONIC AIR FILTER DELTEC
	7001341	71064753	BYSTRONIC VACUUM PUMP FILTER
	8820145	8820145	BYSTRONIC WATER FILTER 60/MC
	7509417	A37100MFO	BYSTRONIC GREEN AIR FILTER 37X106
	7509412		BYSTRONIC AIR FILTER ACTIVE COAL
	RS 557067	RS 557067	BYSTRONIC SOLVENT CLEANING PADS - 20PCS
	SV 25		AMADA FILTR DO POMPY PRÓŻNIOWEJ
	555		AMADA OLEJ DO POMPY PRÓŻNIOWEJ LEYBOLD ANDEROL (5 l)
	87000084		BYSTRONIC OERLIKON LEYBOLD VACUUM (300 ml)



---

## **MATERIAŁY EKSPLOATACYJNE DO CZYSZCZENIA OPTYKI**



Mleczko do polerowania optyki (250 ml)

Mleczko do polerowania optyki (50 ml)

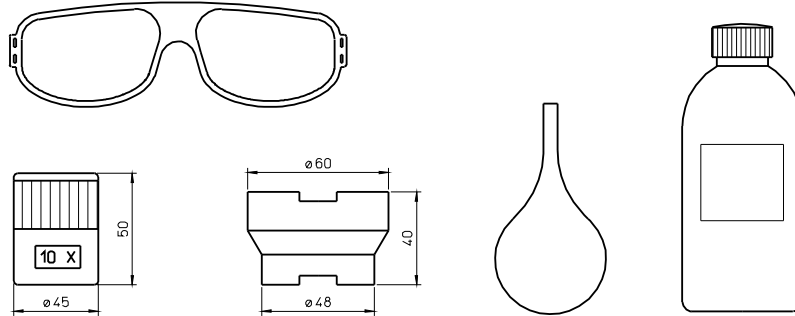
Papierki czyszczące 10x20 cm (500 szt.)

Papierki czyszczące 10x15 cm (50 szt.)

Patyczki bawełniane 100% bawełny

Aceton (250 ml)

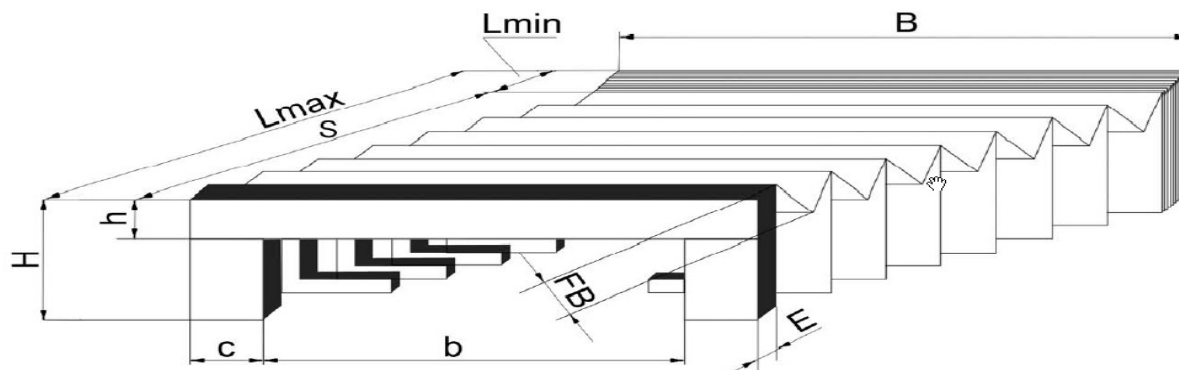
## AKCESORIA



HA1100		LASER CO2 GLASSES CE APPROVED
HA2100		LASER CO2 MASK DL 4 CE APPROVED
HA3100		LASER CO2 GLASSES DL 4 CE APPROVED
HA1002		MIRROR CLEANING LIQUID - bottle cl 20
HA1001	123602	LENS CLEANING LIQUID - bottle cl 20
HA1003-100	240568-100	LENS CLEANING - ml 100
HA1003-200	240568-200	LENS CLEANING - ml 200
HA1004		POLISH DETERGENT
HA1010		DROPPER FOR LENS CLEANING LIQUID
HA1120		LATEX GLOVES - 10 pieces
HA1115		INDIUM WIRE Ø 1.0mm FOR 1.5" LENSE
HA1115/M		MAZAK INDIUM 0.8mm FOR 1.5" MAZAK LENS
HA1120		INDIUM WIRE Ø 1.0mm FOR Ø 2.0mm LENS
HA1120/M		MAZAK INDIUM 0,8mm FOR 2,0" LENS
50		LENS CLEANING PAPER - 50sheets
100		KODAK LENS CLEANING PAPER - 50sheets
20		COTTON SWAB -20 pieces
HA1115		LENS CLEANING PRE-CUT COTTON - 100 pieces
HA255	091860	SCALE LUPE
HA282		INJECTOR



## OSŁONY HARMONIJKOWE



**Lmax** – długość osłony w stanie rozciągniętym

**Lmin** – długość osłony w stanie ściśniętym

**n** – ilość żeber

**FB** – wysokość żebra

**S** = skok =  $L_{max} - L_{min}$

**c** – szerokość ramy końcowej

**h** – wysokość ramy końcowej

**E** – grubość ramy końcowej

**B** – szerokość zewnętrzna osłony

**H** – wysokość zewnętrzna osłony

**b** – szerokość wewnętrzna